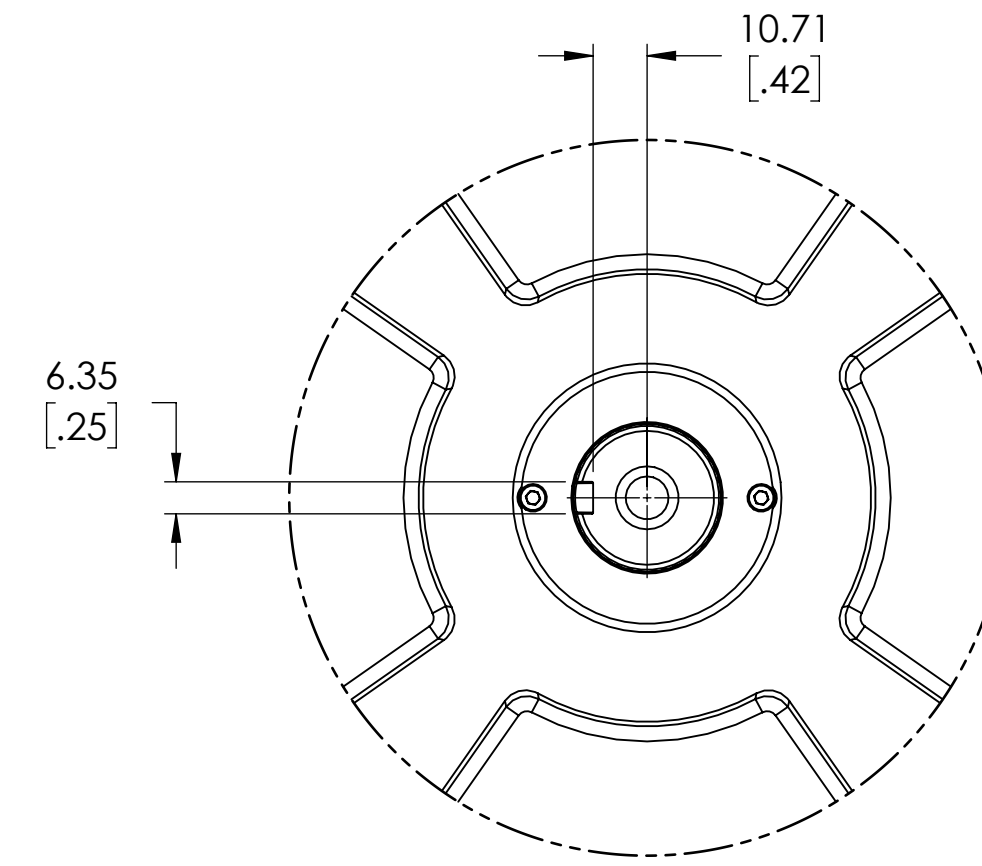
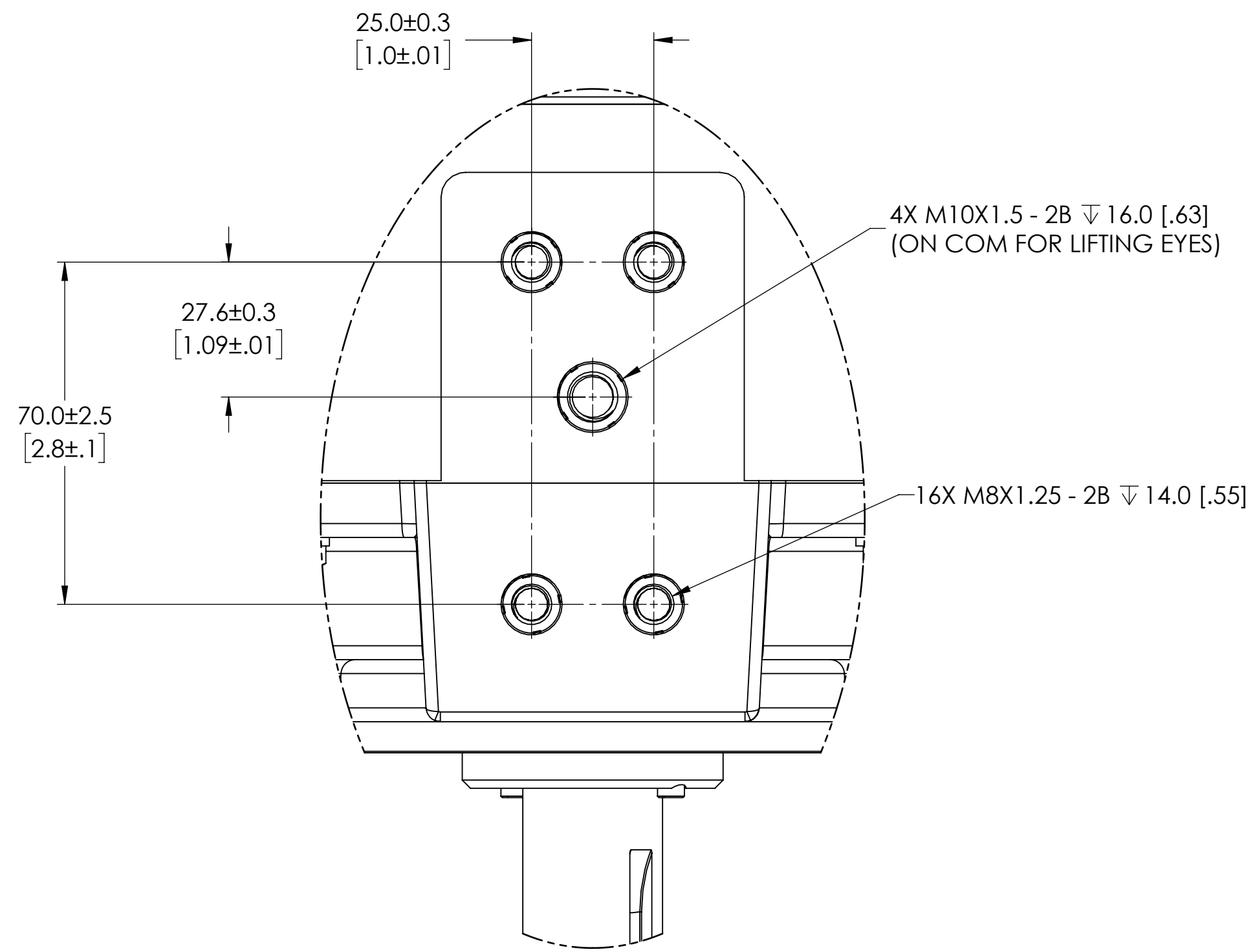
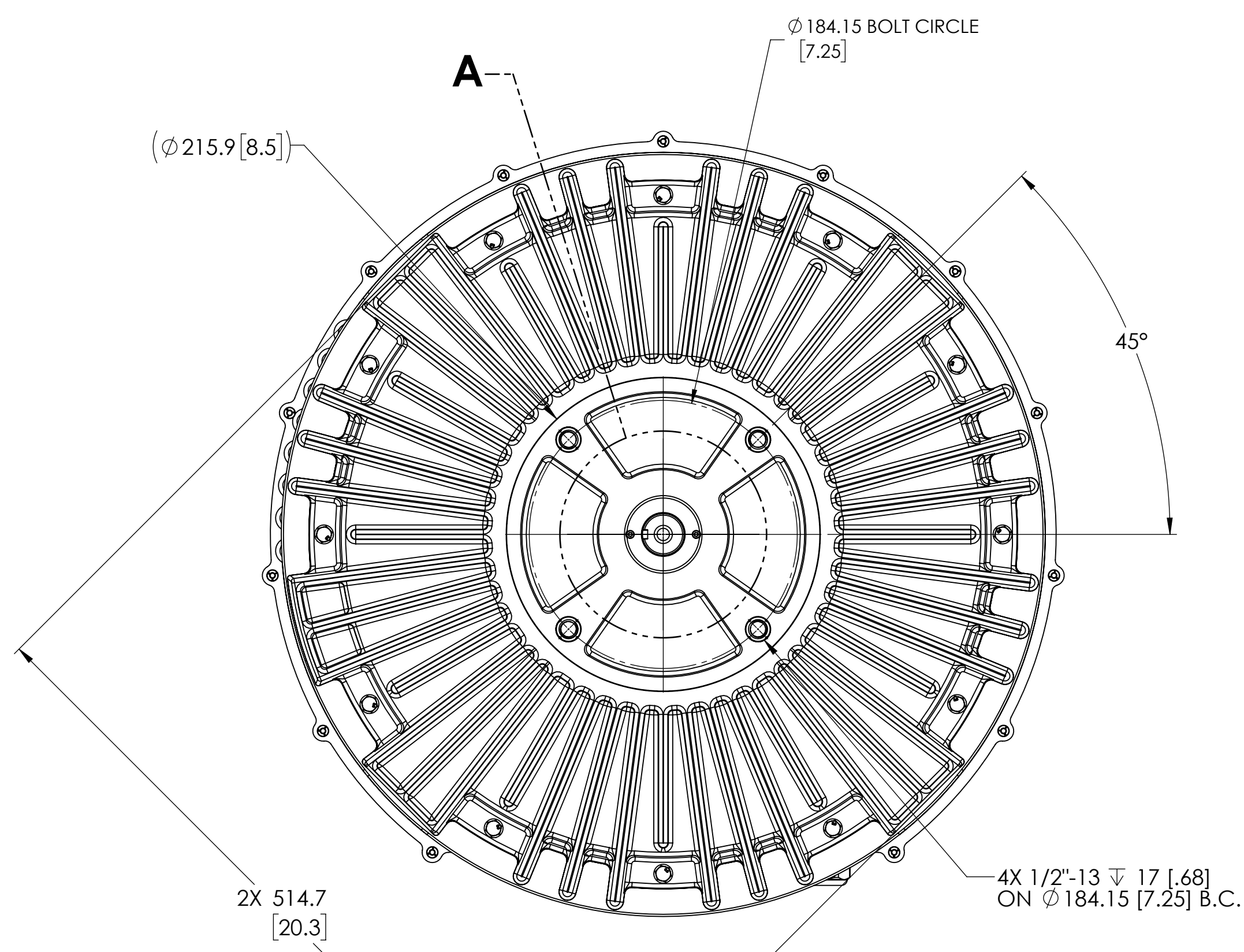
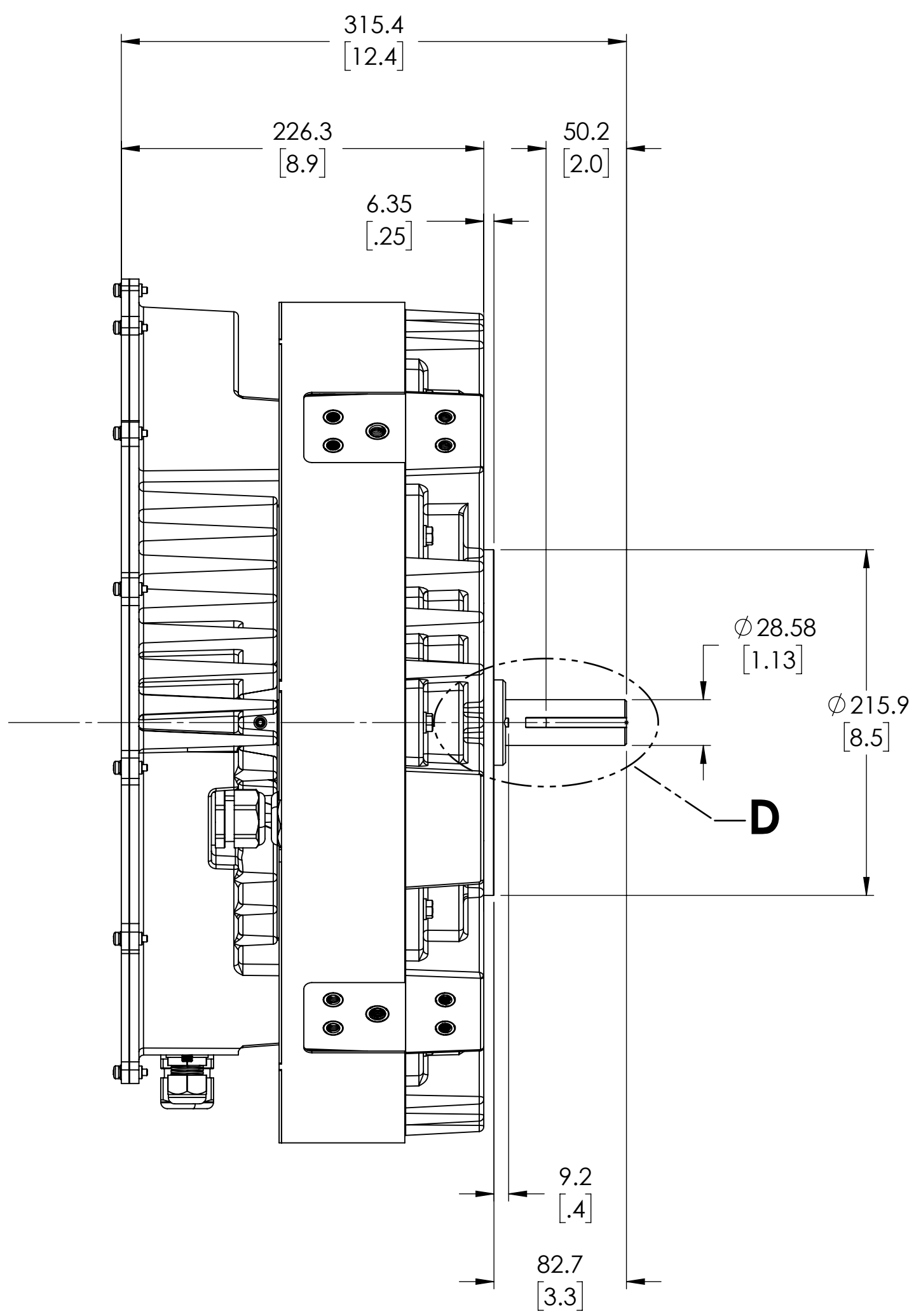
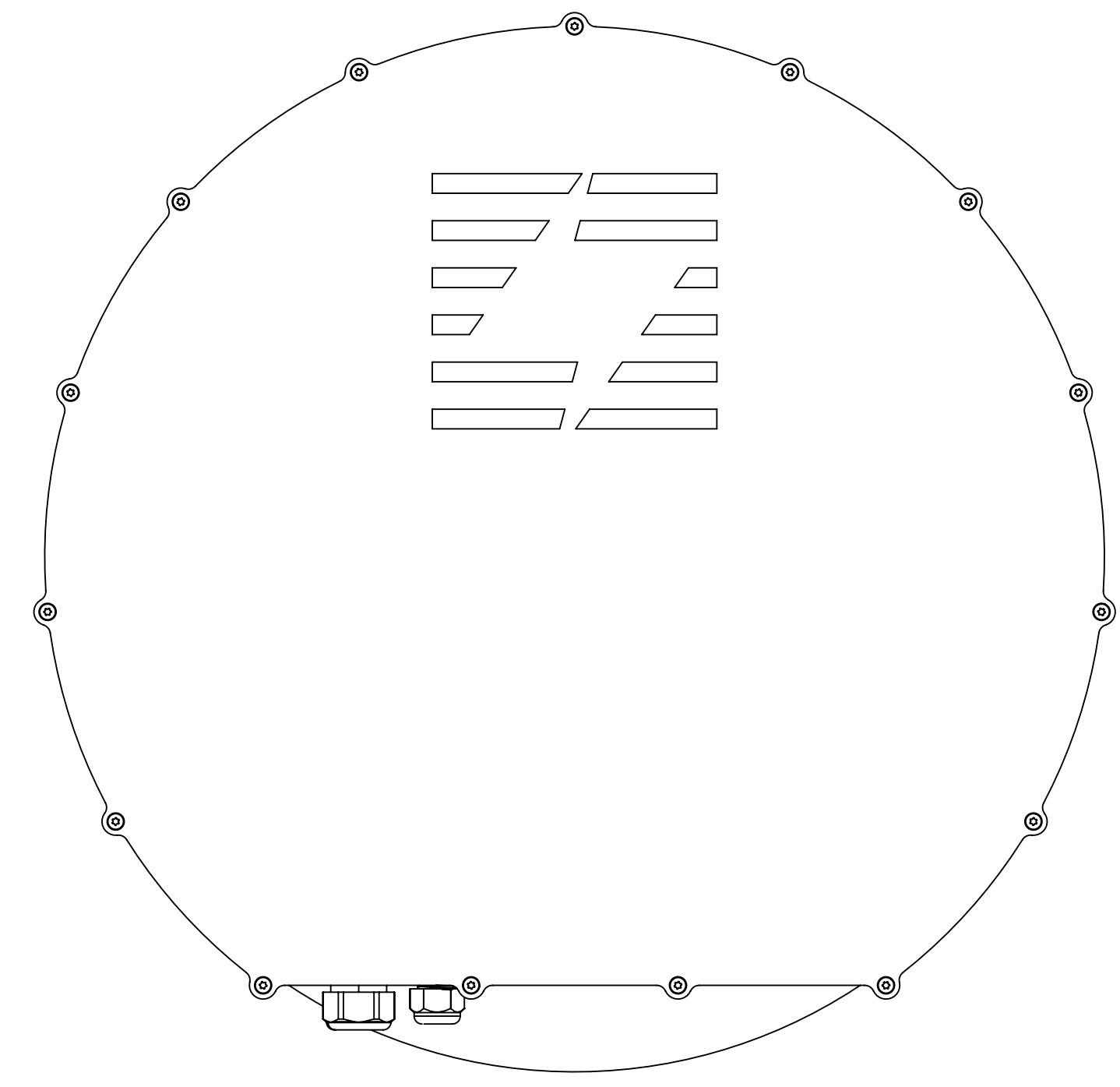
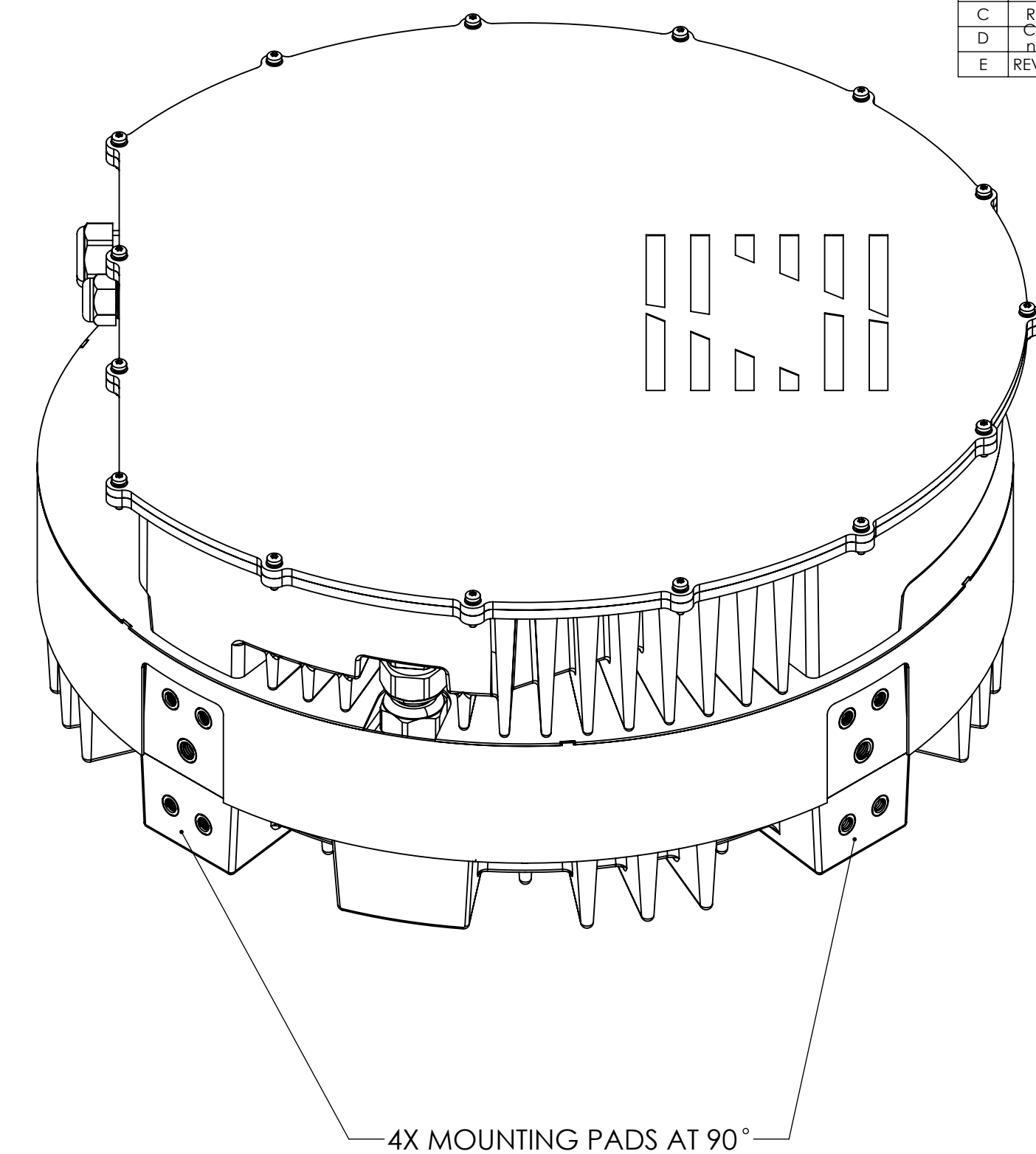


REV.	DESCRIPTION	DATE	APPROVED
A	INITIAL RELEASE	06/11/2021	JMW
B	REV PER ECO: 88	12/15/2021	JMW
C	REV PER ECO: 125	5/13/2022	REED
D	Converted ASMX to top analog output	07/19/2022	JMW
E	REV PER ECO: 000312	08/16/2022	REED



**DETAIL A
SCALE 2:3**



UNLESS OTHERWISE SPECIFIED:		THIRD ANGLE PROJECTION	
DIMENSIONS ARE IN MILLIMETERS		NAME	DATE
TOLERANCES:		DRAWN	JMW 4/13/2021
ONE PLACE DECIMAL: ± 0.3	CHECKED	REED	6/14/2021
TWO PLACE DECIMAL: ± 0.15	ENG APPR.	JMW	4/13/2021
INTERPRET GEOMETRIC TOLERANCING: PER: Y14.5-2009		PROPRIETARY AND CONFIDENTIAL THE INFORMATION CONTAINED IN THIS DRAWING IS THE SOLE PROPERTY OF INFINITUM ELECTRIC. ANY REPRODUCTION IN PART OR AS A WHOLE WITHOUT THE WRITTEN PERMISSION OF INFINITUM ELECTRIC IS PROHIBITED.	
MATERIAL:	N/A	UNCONTROLLED WHEN PRINTED	
FINISH:	N/A	DO NOT SCALE DRAWING	

		TITLE: ASSEMBLY, TOP-LEVEL, JJ, 10-1800 CAST, NO ANALOG OUTPUT REV	
SIZE: D ASM100100 E		SCALE: 1:3 WEIGHT: 74.02KG SHEET 1 OF 3	