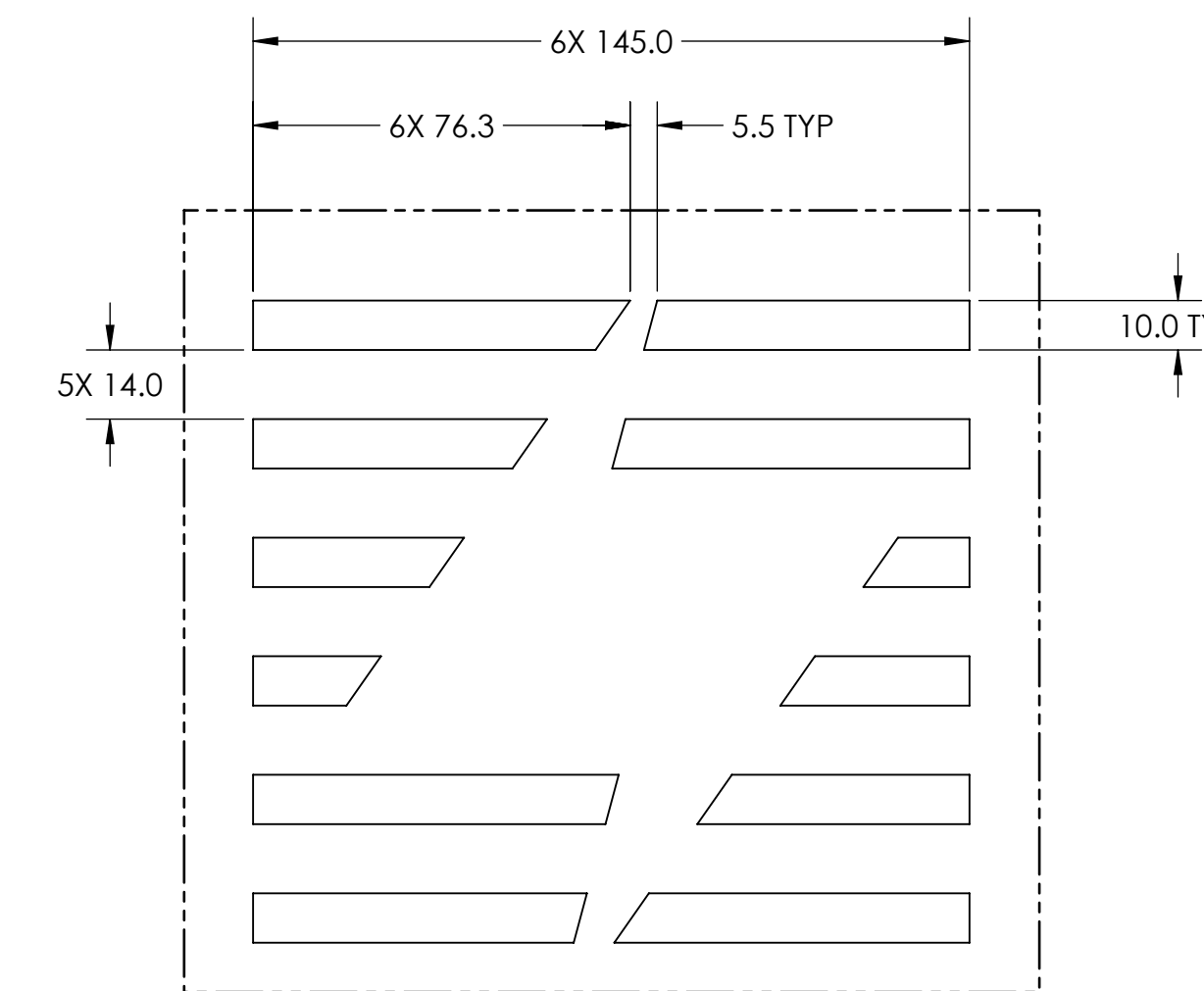
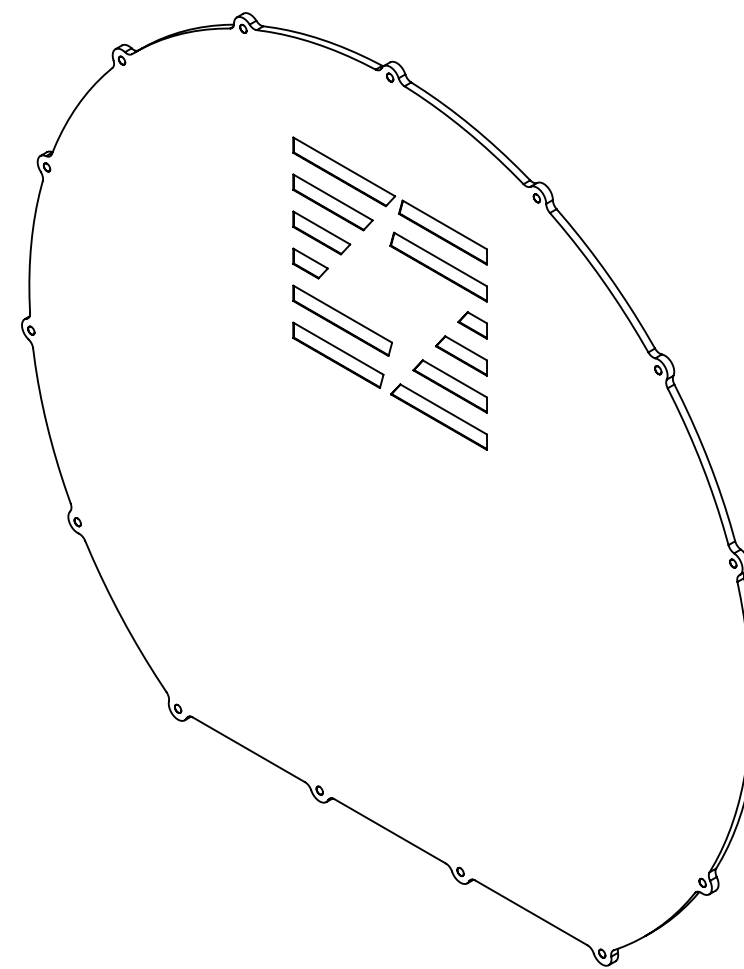
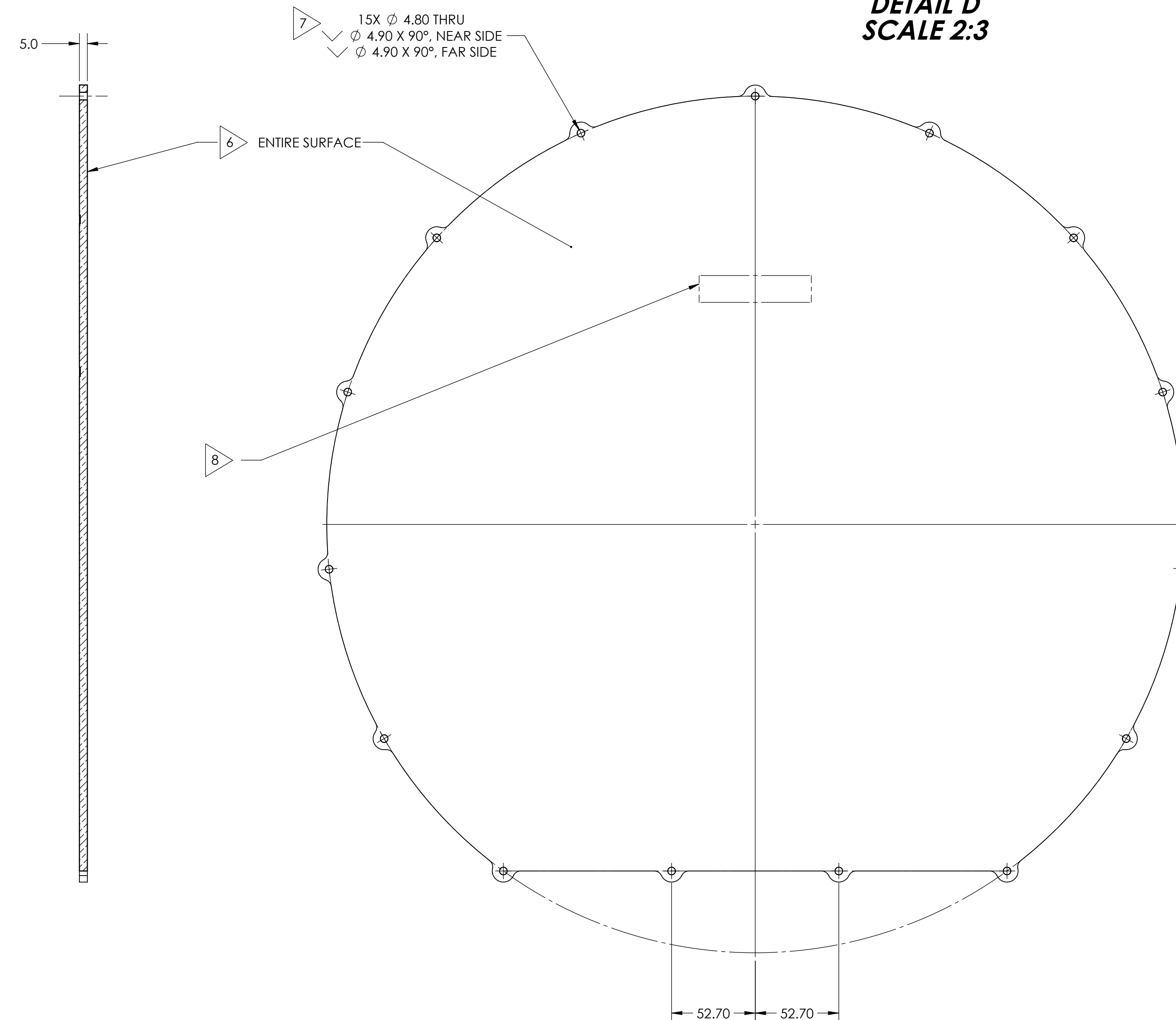
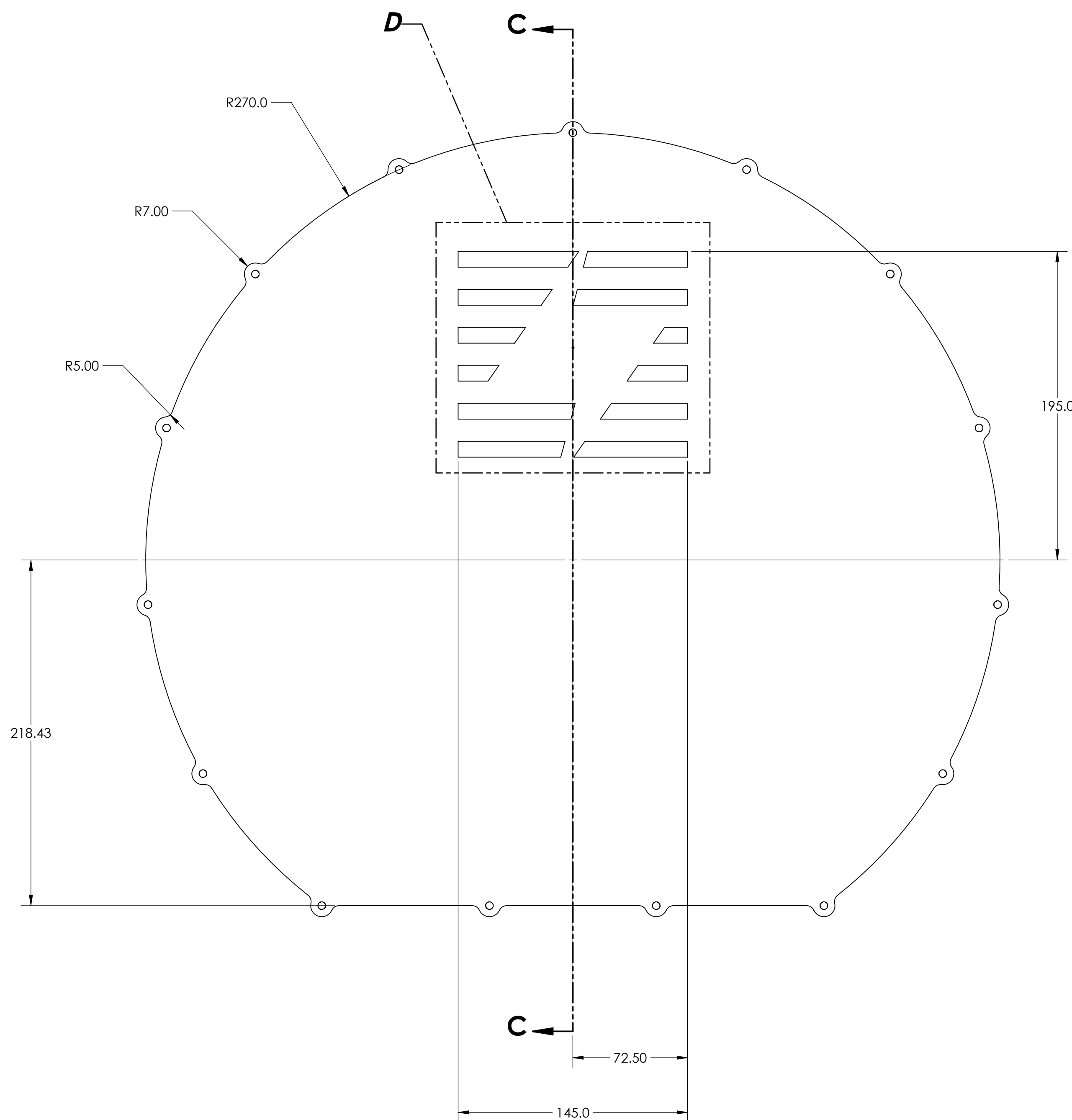


**NOTES, UNLESS OTHERWISE SPECIFIED:**

1. SURFACE ROUGHNESS RA 3.2 UOS.
2. BREAK SHARP EDGES 0.1-0.3 UOS.
3. FEATURES NOT DIMENSIONED TO HAVE +/- 0.3 TOLERANCE.
4. HOLE PATTERNS NOT TOLERANCED TO BE  $\pm 0.15$ .
5. DIMENSIONS APPLY PRIOR TO FINISH.
6. PRIOR TO FINISH, MASK ALL SURFACES MARKED  $\nabla 6$ .
7. PRIOR TO FINISH, PLUG ALL STUDS, THREADED AND THRU HOLES.
8. LABEL WITH INFINITUM PART NUMBER AND REVISION PER ENG100005, SPECIFICATION FOR PART IDENTIFICATION MARKING.



**DETAIL D  
SCALE 2:3**



**SECTION C-C**

UNLESS OTHERWISE SPECIFIED:		NAME	DATE
DIMENSIONS ARE IN MILLIMETERS	DRAWN	JMW	10/26/2021
TOLERANCES:	CHECKED	JMW	10/26/2021
ANGULAR: MACH ± 5°	ENG APPR.		
ONE PLACE DECIMAL ± 0.3	MFG APPR.		
TWO PLACE DECIMAL ± 0.15	Q.A.		
	COMMENTS:		
INTERPRET GEOMETRIC TOLERANCING PER: Y14.5-2009			
MATERIAL: INDUSTRIAL GRADE ALUMINUM			
FINISH: POWDER COAT RED (RAL 3031)			
DO NOT SCALE DRAWING			

		TITLE:	
		COVER, VFD, JJ, FRAME 20, GEN 3	
SIZE	DWG. NO.	REV	
D	FAB100264 P00		
SCALE: 1:2	WEIGHT: 2.9600	PAGE 1 OF 1	

**PROPRIETARY AND CONFIDENTIAL**  
THE INFORMATION CONTAINED IN THIS DRAWING IS THE SOLE PROPERTY OF INFINITUM ELECTRIC. ANY REPRODUCTION IN PART OR AS A WHOLE WITHOUT THE WRITTEN PERMISSION OF INFINITUM ELECTRIC IS PROHIBITED.