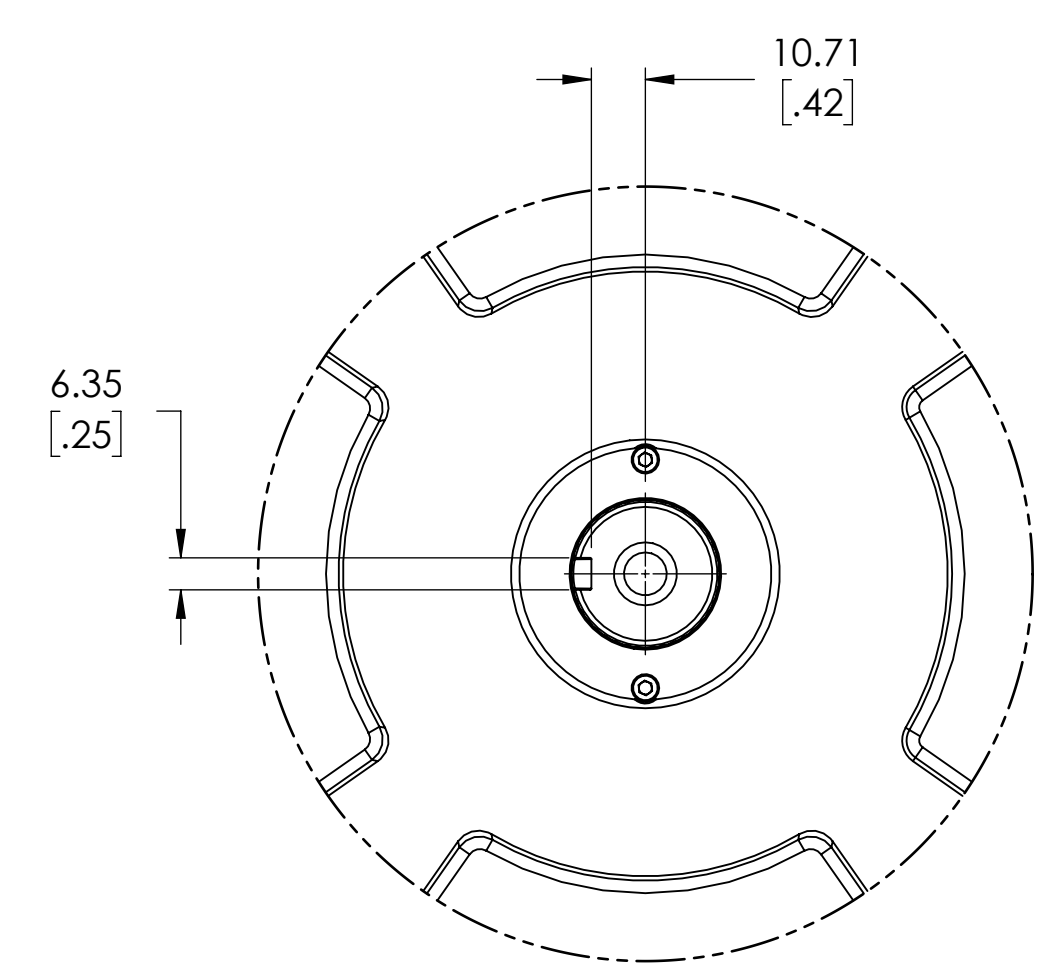
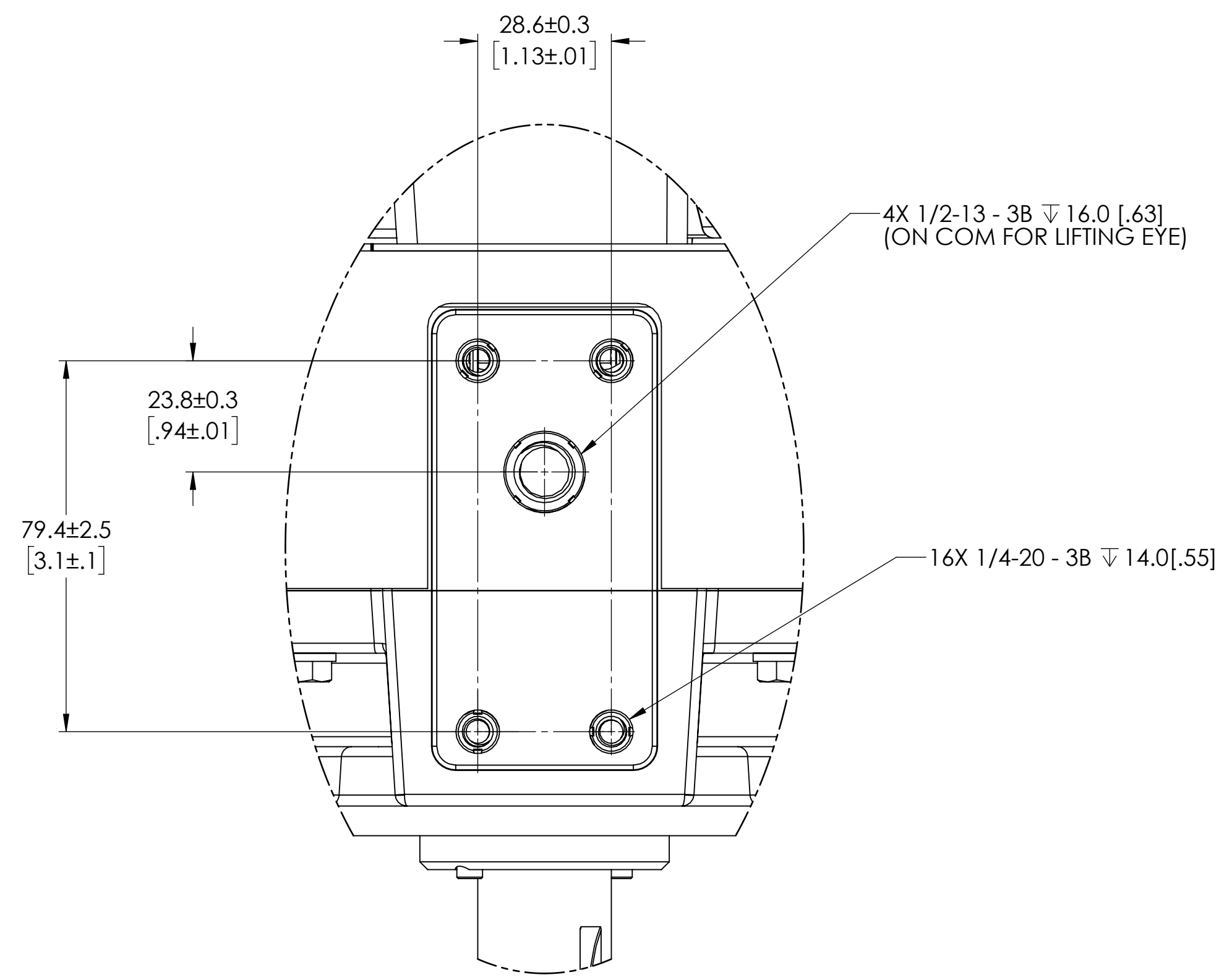
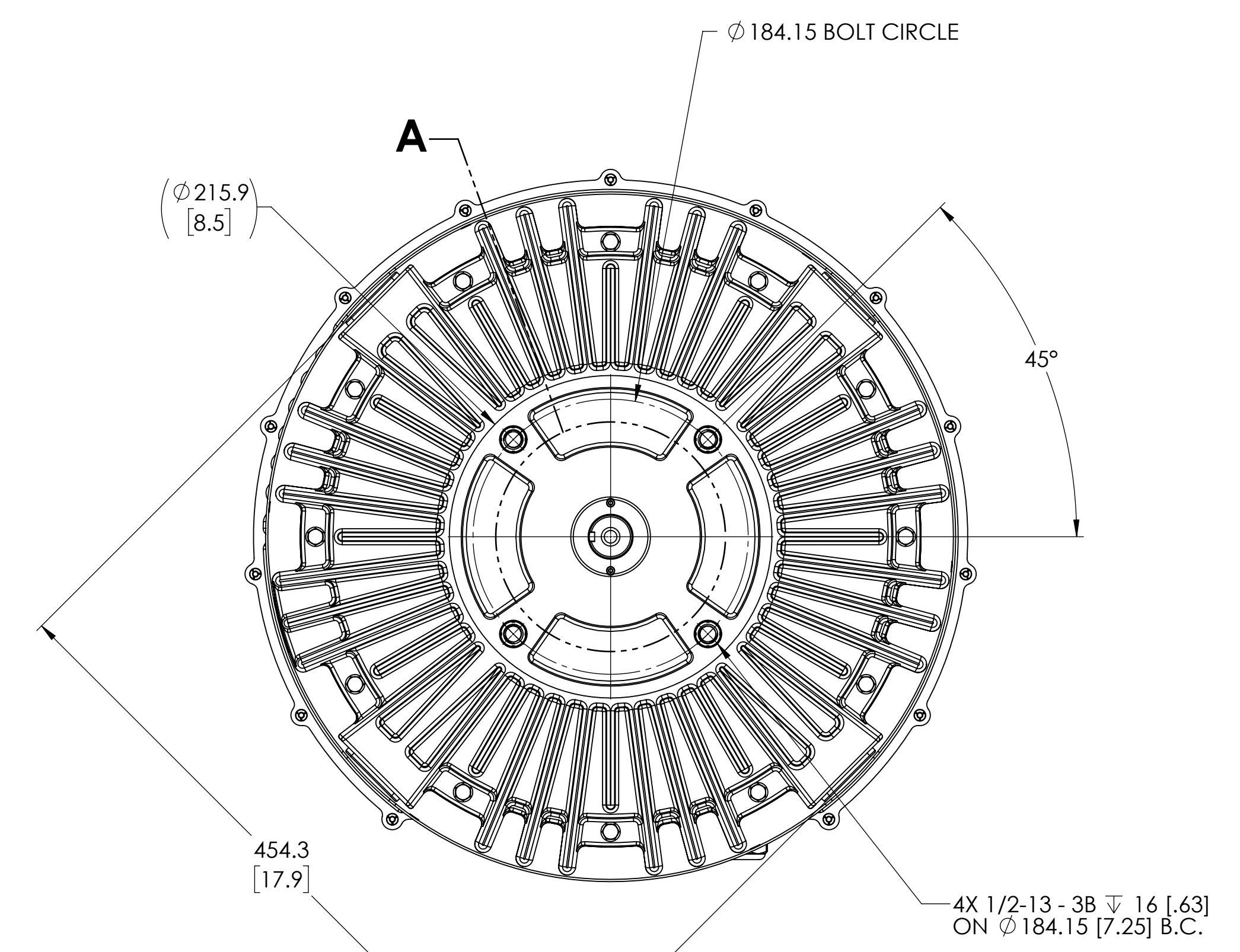
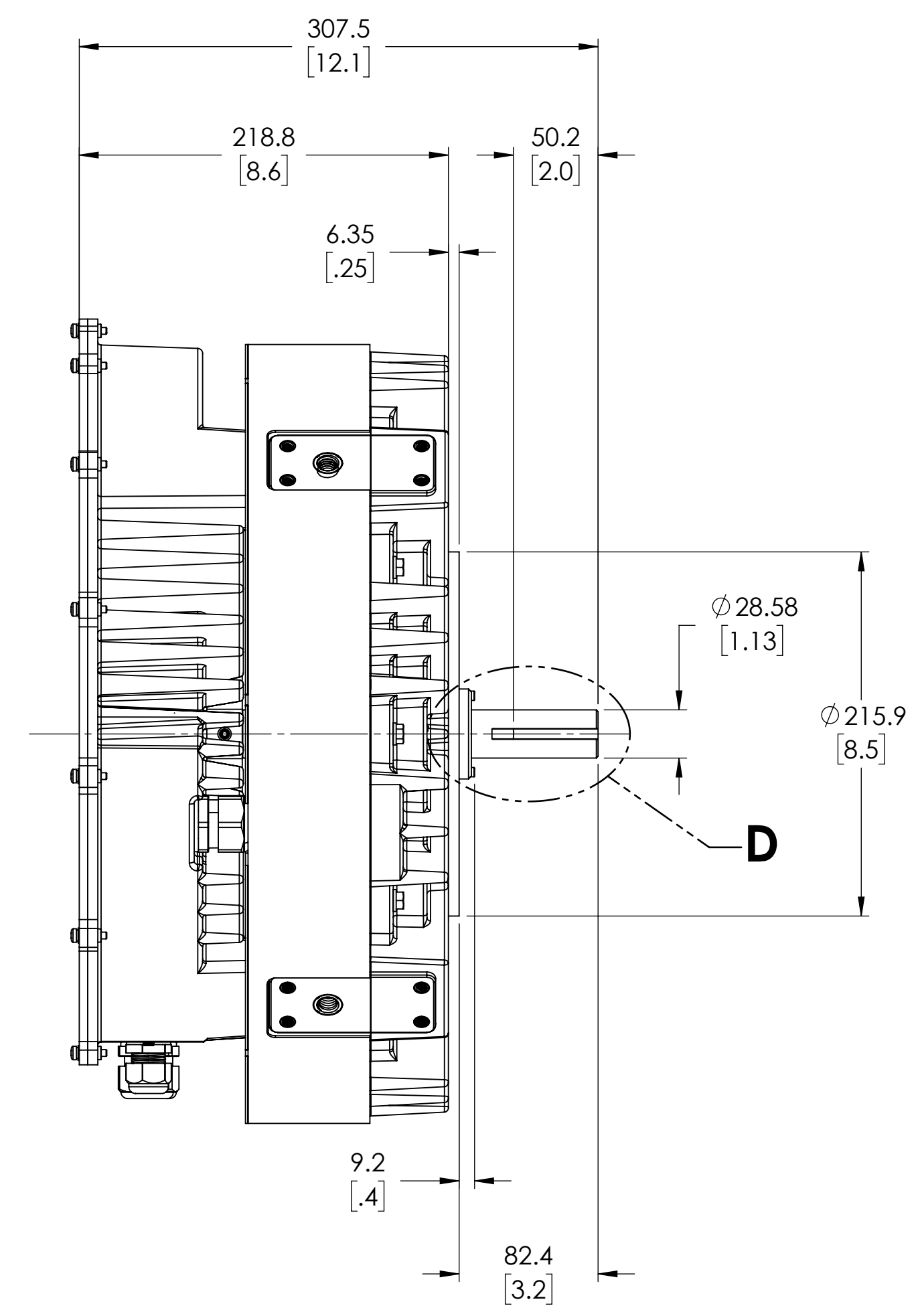
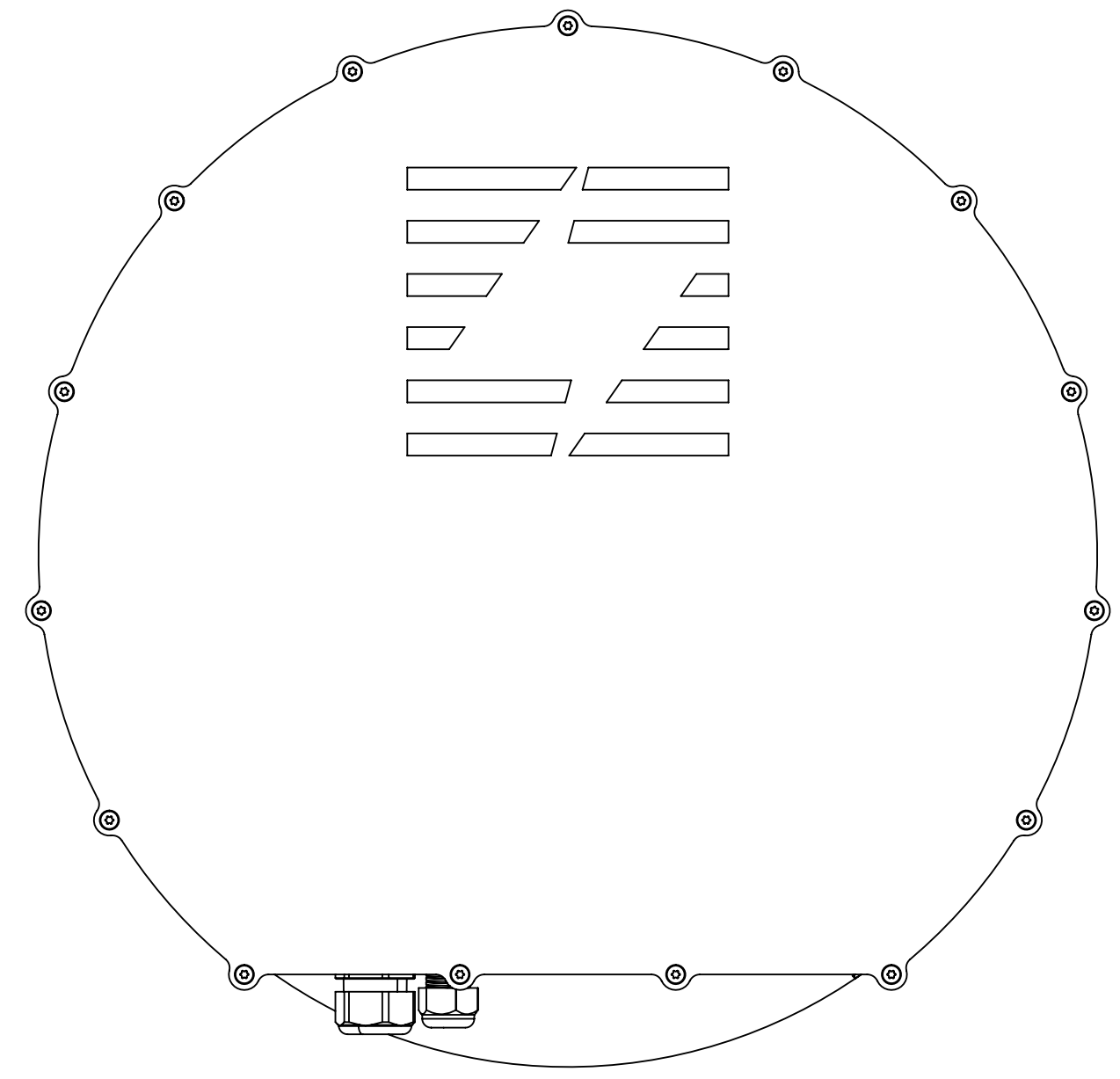
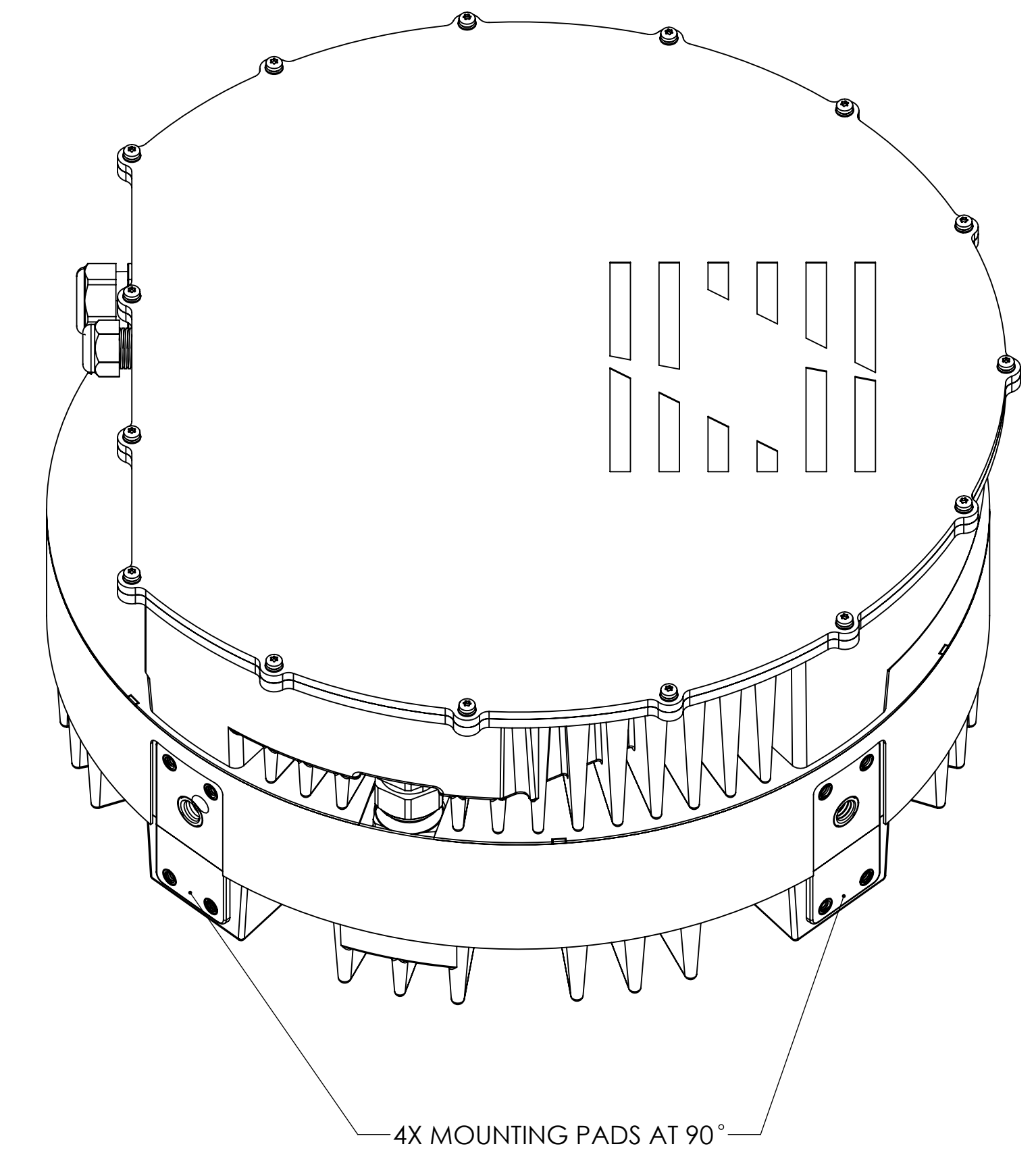


REV.	DESCRIPTION	DATE	APPROVED
A	INITIAL RELEASE	06/16/2021	JMW
B	REV PER ECO: 49	10/17/2021	RAL
C	REV PER ECO: 000227	07/20/2022	JMW
D	NOT USED	N/A	N/A
E	REV PER ECO: 000312	08/16/2022	REED
F	REV PER ECO: 000216	09/06/2022	JMW



**DETAIL A
SCALE 2:3**



UNLESS OTHERWISE SPECIFIED:		THIRD ANGLE PROJECTION	
DIMENSIONS ARE IN MILLIMETERS			
TOLERANCES:			
ANGULAR: MACH: ± .5°	NAME	DATE	
ONE PLACE DECIMAL: ± 0.3	DRAWN	JMW	04/12/21
TWO PLACE DECIMAL: ± 0.15	CHECKED	RAL	04/12/21
INTERPRET GEOMETRIC TOLERANCING: PER: Y14.5-2009	ENG APPR.	RAL	04/12/21
PROPRIETARY AND CONFIDENTIAL			
THE INFORMATION CONTAINED IN THIS DRAWING IS THE SOLE PROPERTY OF INFINITUM ELECTRIC. ANY REPRODUCTION IN PART OR AS A WHOLE WITHOUT THE WRITTEN PERMISSION OF INFINITUM ELECTRIC IS PROHIBITED.			
MATERIAL:	N/A		
FINISH:	N/A		
DO NOT SCALE DRAWING			
UNCONTROLLED WHEN PRINTED			

Infinitem electric

TITLE: ASSEMBLY, TOP-LEVEL, JJ, 10-2400 CAST, NO ANALOG OUTPUT

SIZE DWG. NO. REV
D ASM100095 F

SCALE: 1:3 WEIGHT: 53.59 KG SHEET 1 OF 3