

8

7

6

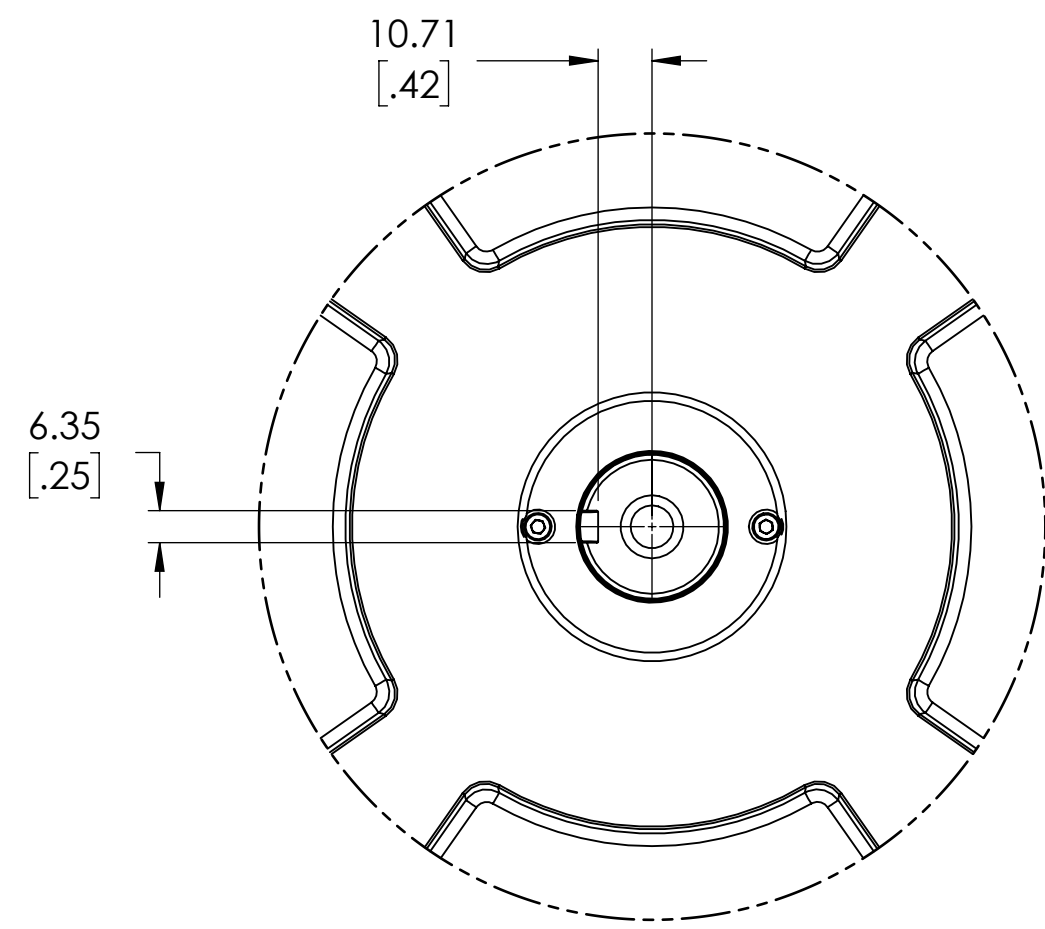
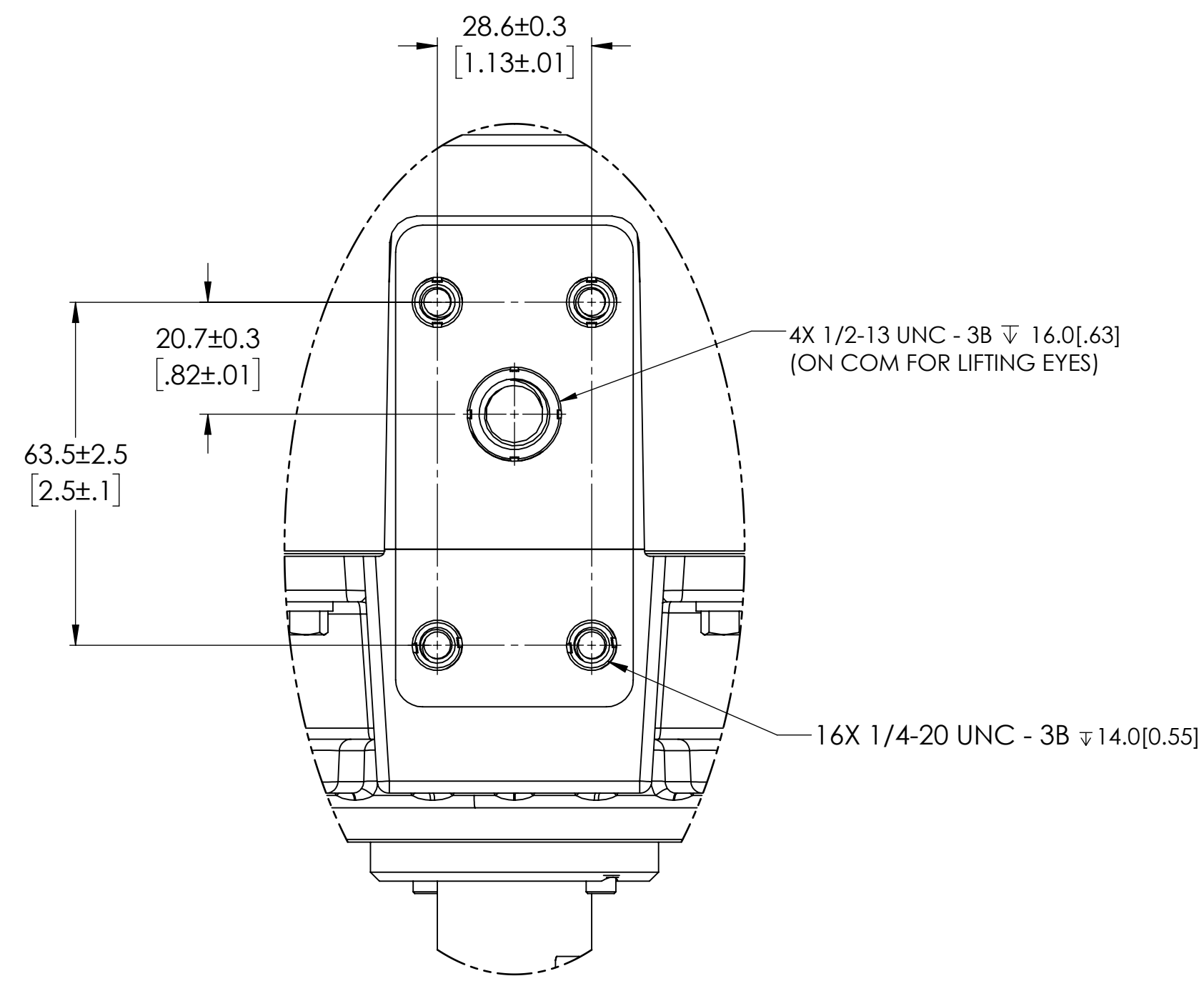
5

4

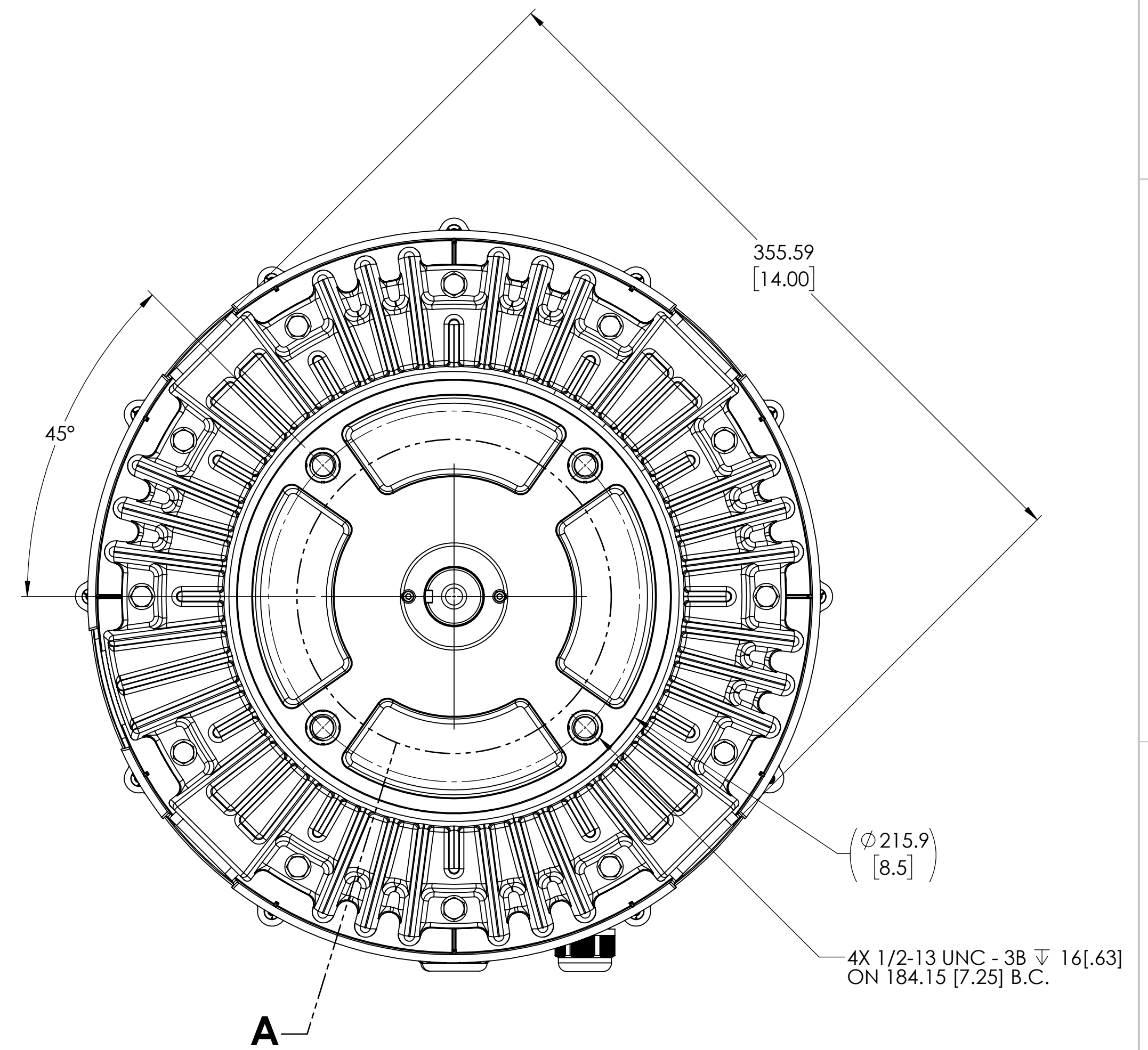
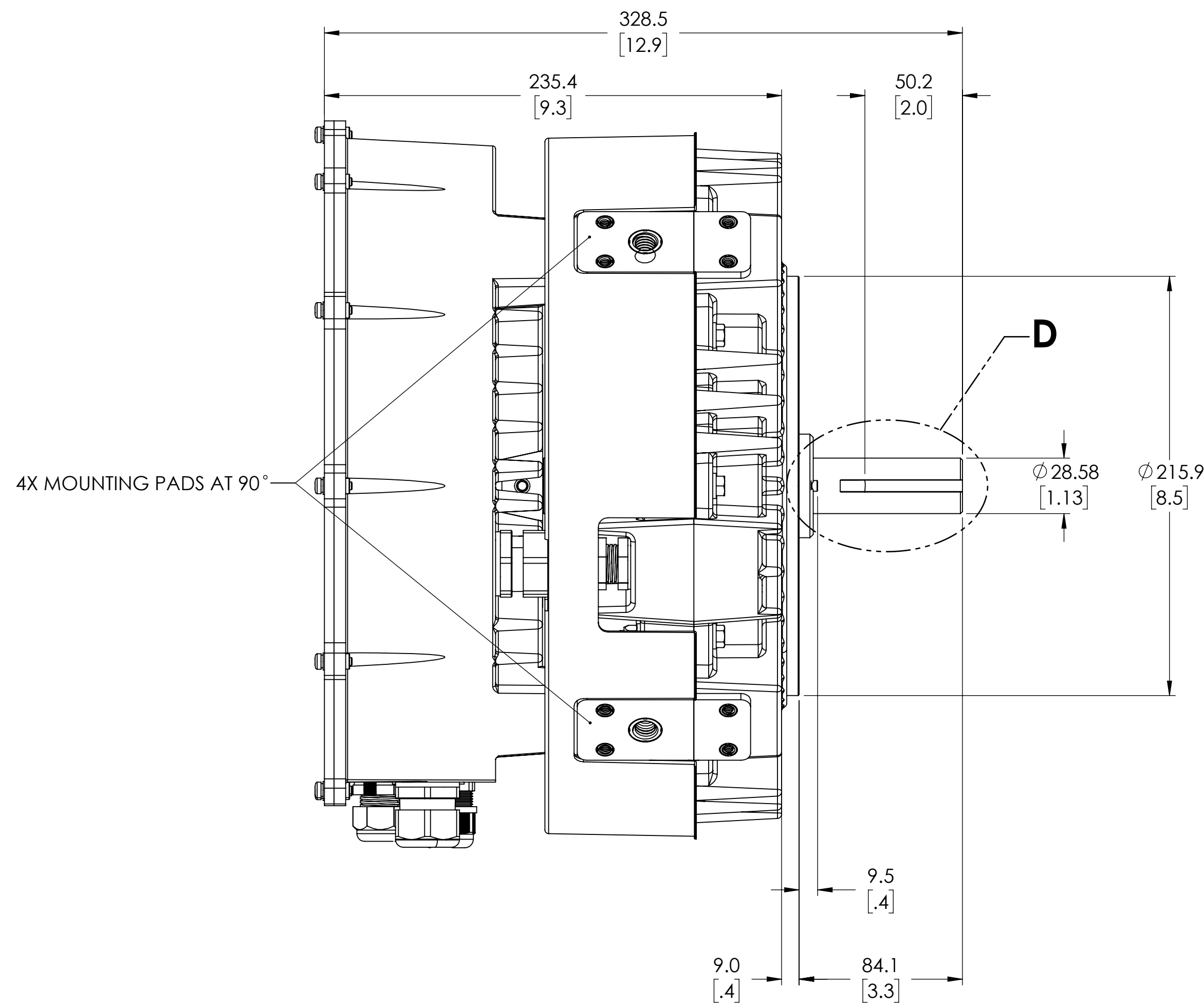
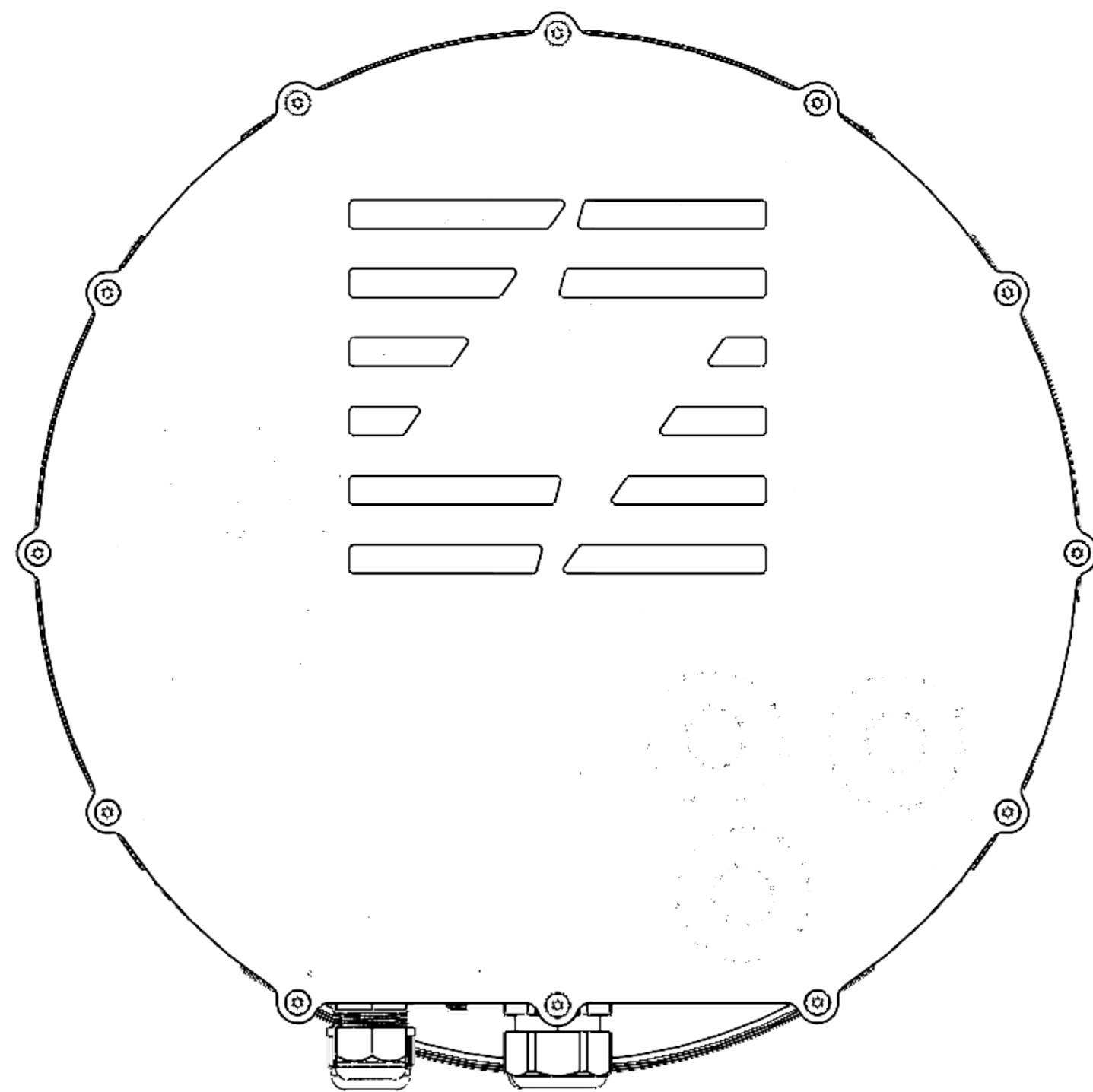
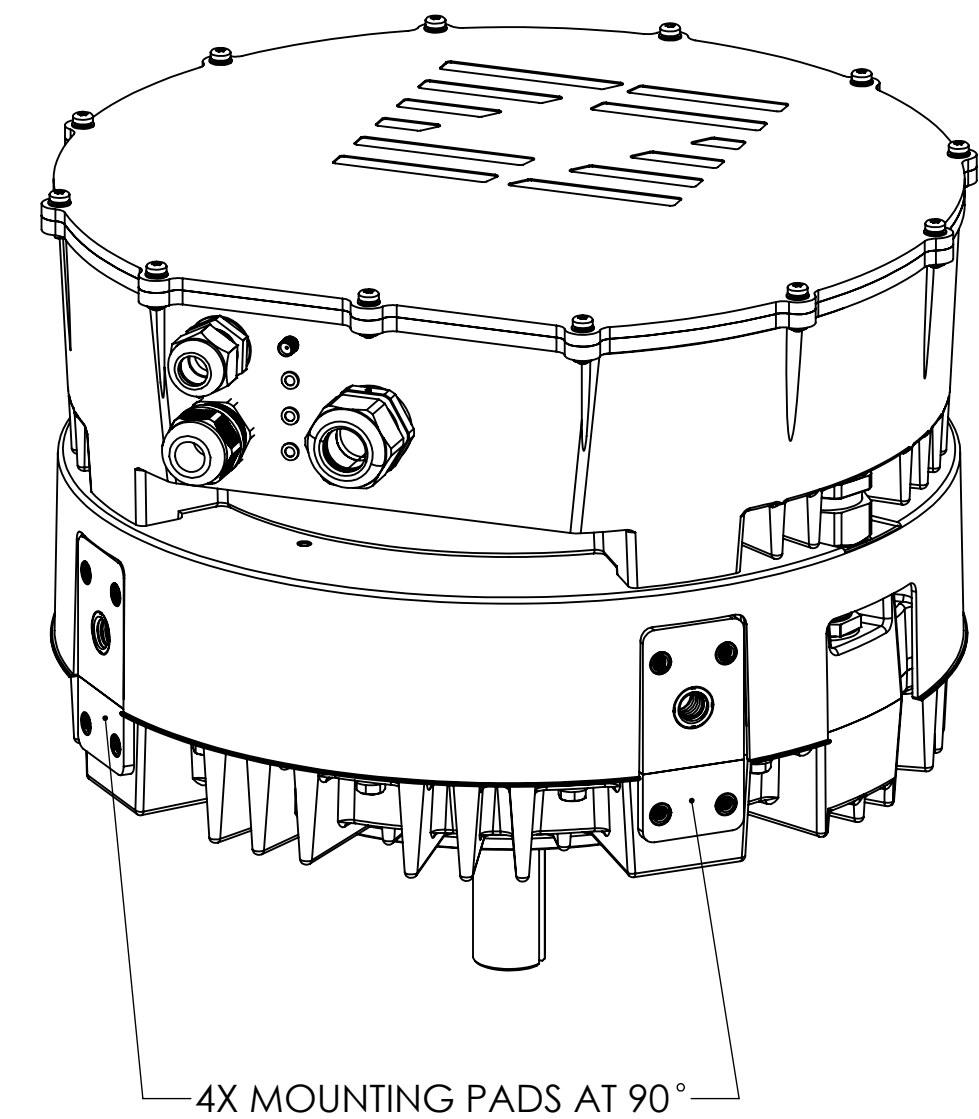
3

2

1



**DETAIL A
SCALE 2:3**



UNLESS OTHERWISE SPECIFIED: DIMENSIONS ARE IN MILLIMETERS		THIRD ANGLE PROJECTION	
TOLERANCES:		NAME	DATE
ANGULAR: MACH ± .5°		DRAWN	10/6/2021
ONE PLACE DECIMAL: ± 0.3		CHECKED	JVW 10/7/2021
TWO PLACE DECIMAL: ± 0.15		ENG APPR.	JVW 10/7/2021
INTERPRET GEOMETRIC TOLERANCING: PER: Y14.5-2009		PROPRIETARY AND CONFIDENTIAL THE INFORMATION CONTAINED IN THIS DRAWING IS THE SOLE PROPERTY OF INFINITUM ELECTRIC. ANY REPRODUCTION IN PART OR AS A WHOLE WITHOUT THE WRITTEN PERMISSION OF INFINITUM ELECTRIC IS PROHIBITED.	
MATERIAL:	N/A	SCALE: 1:2 WEIGHT: 34.75KG SHEET 1 OF 3	
FINISH:	N/A	UNCONTROLLED WHEN PRINTED	
DO NOT SCALE DRAWING			

Infinitum

TITLE: ASSEMBLY, TOP LEVEL, JJ, 5-3600, NO ANALOG OUTPUT

SIZE DWG. NO. REV
D ASM100124 P01

8

7

6

5

4

3

2

1