

Datasheet

Aircore EC Frame 18, 10 HP, 3600 RPM



Motor and drive all in one

Integrated variable frequency drive (VFD) facilitates variable speed applications, reducing overall energy usage.

Power more with less

50% lighter, 30% quieter and up to 25% more efficient, averaging \$2,300 in energy savings per motor.*

Powerful intelligence

- State-of-the-art VFD for precise speed control which contributes to energy and audible noise reduction.
- I-con (motor control software) enables users to fine tune operational parameters to their specific applications. Mobile versions available.
- Maximum power density in a 50% smaller and lighter package.

Optimized efficiency

- Meets highest efficiency standards at a wide range of load conditions.
- Increased operational efficiency by eliminating torque ripple, cogging, stator hysteresis and eddy current losses.
- Compact form factor reduces wiring and facilitates direct mounting to fan applications, increasing efficiency by up to 25% compared to a traditional motor.

Sustainable solution

- Our PCB stator uses 66% less copper and is 10x more reliable than traditional iron-core, copper-wound stators.
- Enhanced serviceability due to modular design enables the reuse and extended lifespan of components, keeping them out of the landfill.
- Increased efficiency reduces customer's scope 2 emissions by up to 25%.

Applications



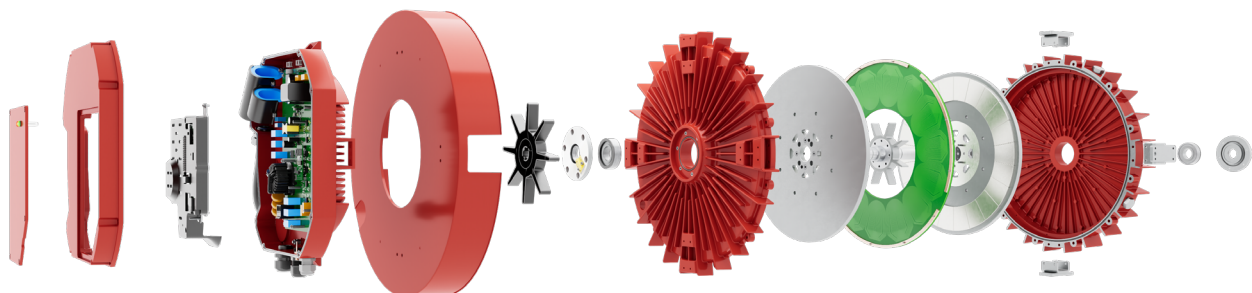
Commercial HVAC



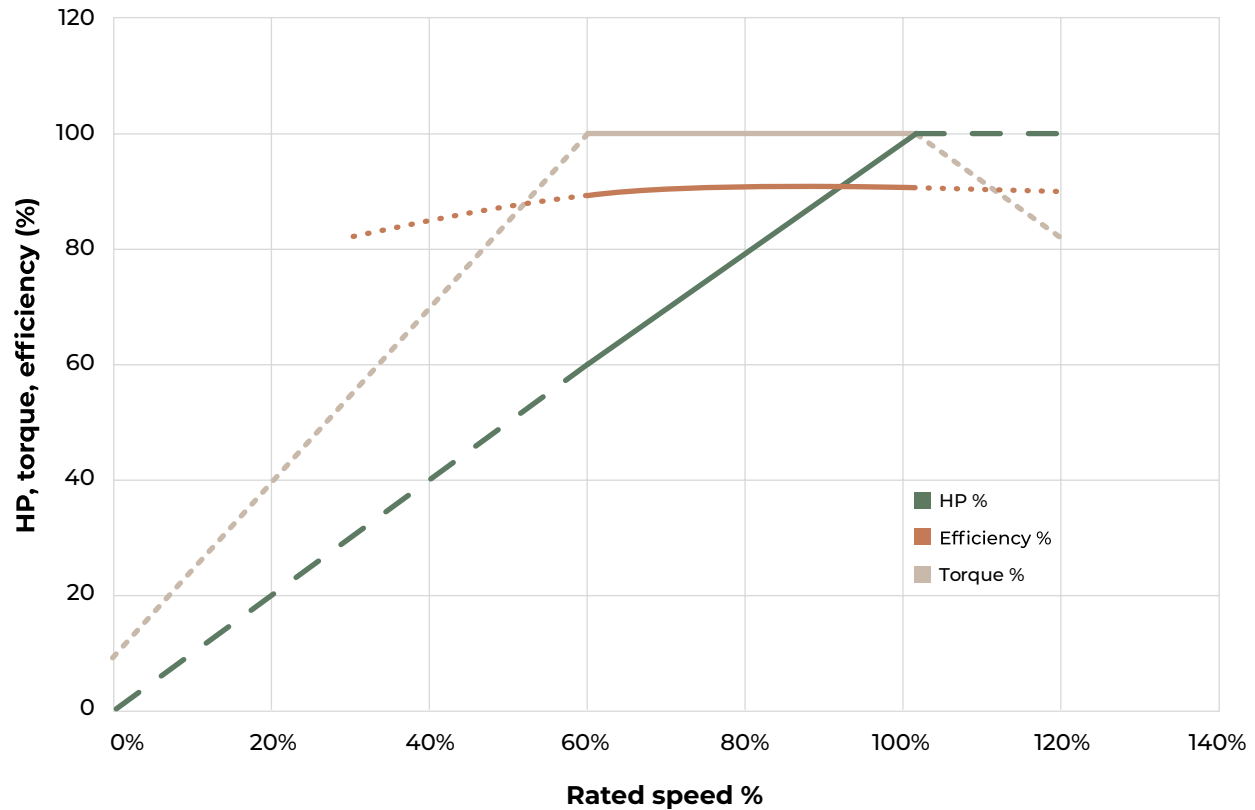
Pumps



Material handling



Performance



Note: Infinitum does not recommend using the motor below 60% of rated speed at full torque except when coasting or ramping up. It is also essential to restrict power and FLA within the nameplate rating when operating the motor above 100% of its rated speed. To operate the motor outside the recommended operating range, please contact the factory and our Application Engineers will provide a customized solution.

Motor information	
Rated power	10.0 HP, 7.46 kW
Rated torque	14.6 lb-ft, 20.0 Nm
Rated speed	3600 RPM
Max speed	4320 RPM (see above)
Min speed	100 RPM (see above)
Weight (motor & drive)	96.7 lbs, 43.9 kg
Frame diameter	18.6", 47.2 cm
Length (motor & drive)	8.7", 22.1 cm
System efficiency	90.7%
Duty cycle	Continuous
Variable speed	Yes, integrated VFD
Service factor	1.0
Motor thermal protection	Electronically-protected L
Motor type	TEFC
Enclosure rating	IP54

Electrical

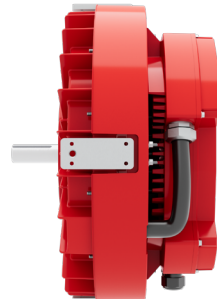
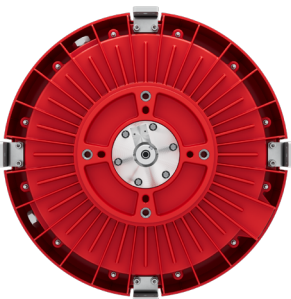
Supply voltage	460 VAC \pm 10%
Supply phase	3 Phase
Supply voltage frequency	60 Hz \pm 5%
Voltage imbalance	\pm 3% Phase to phase voltage
Short circuit current rating (SCCR)	Input – 5 kA, 500 V maximum
Rated amps	12.0 A (460 VAC)
Motor insulation class	B
Grounding	Grounded Wye, Delta, HRG

Mechanical

Direction of rotation	CW/CCW
Motor frame material	Aluminum
Rotor inertia	0.49 kg.m ²
Bearing type – DE	Standard: steel, 6206 sealed, permanently lubricated Optional: hybrid ceramic (see catalog number)
Bearing type – NDE	Standard: steel, 6206 sealed, permanently lubricated Optional: hybrid ceramic (see catalog number)
Grease specification	Mobil polyrex EM
Regreasable	No
Grounding brushes	Included – NDE
Shaft design	Keyed
Motor mounting position	Horizontal or vertical
Motor mounting type	C-face (182TC) and body mount

Ambient operating conditions

Condition	Operation	Storage & transportation
Altitude	0 to 3300 ft. (1,000 m) above sea level 9% power derate per 1,000 m up to 4,000 m	NA
Ambient temperature	-13 to 104 °F (-25 to 40 °C) 2% power derate per 1 °C up to 50 °C	-40 to 185 °F (-40 to 85 °C)
Relative humidity	95%, No condensation allowed	95%, No condensation allowed
Contamination levels	No conductive dust allowed	No conductive dust allowed



Control connections

Refer to [IOM Manual](#) for more details.

Description	Quantity	Type
Analog input Software selectable for voltage or current input	1	Voltage signal – 0 to 10 VDC, RIN = 20 k Ω Current signal – 4 to 20 mA, RIN = 500 Ω Resolution – 0.1% Accuracy – \pm 5%
Analog output (see above)	1	Voltage – 0 to 10 VDC, 10 mA maximum, 1 k Ω minimum
Auxiliary voltage	1	24 VDC \pm 5%, user supply, 250 mA maximum
Digital input	4	24 VDC with internal or external supply Input impedance – 1 k Ω
Digital output	2	Open drain output Maximum switching voltage 40 VDC Maximum switching current 350 mA
Relay output	1	Normally open (NO), normally closed (NC) contact arrangements Maximum switching voltage of 125 VAC / 30 VDC Maximum switching current of: NO – 10 A (VAC) / 5 A (VDC) NC – 3 A (VAC) / 3 A (VDC)
EIA-485 Interface for Modbus RTU or BACnet MS/TP	1	Shielded twisted pair cable with impedance of 120 Ω Half duplex Modbus or BACnet communication protocol
Modbus TCP	1	Ethernet for I-con (desktop and mobile)

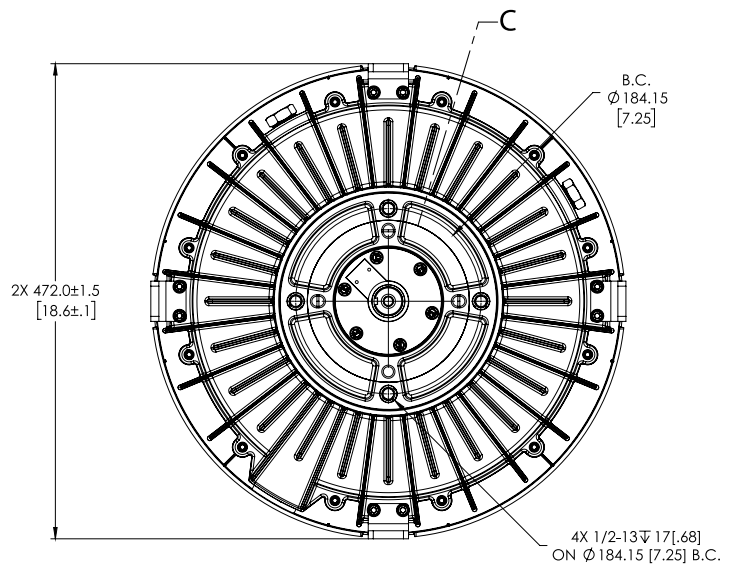
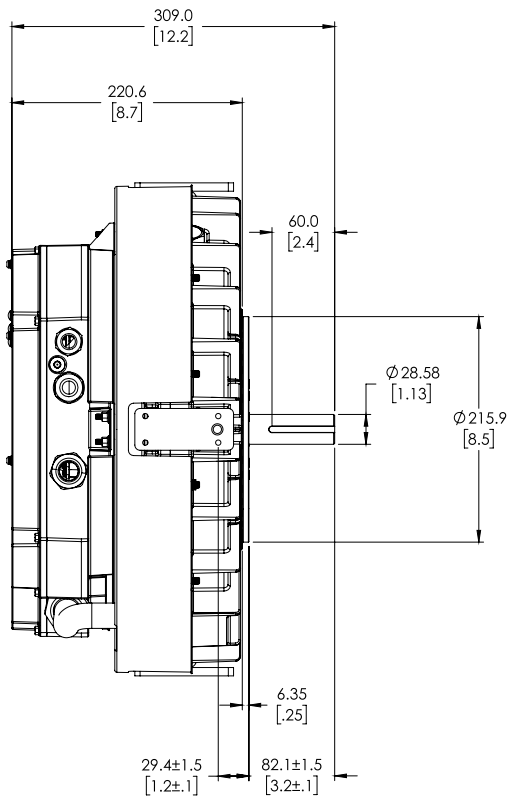
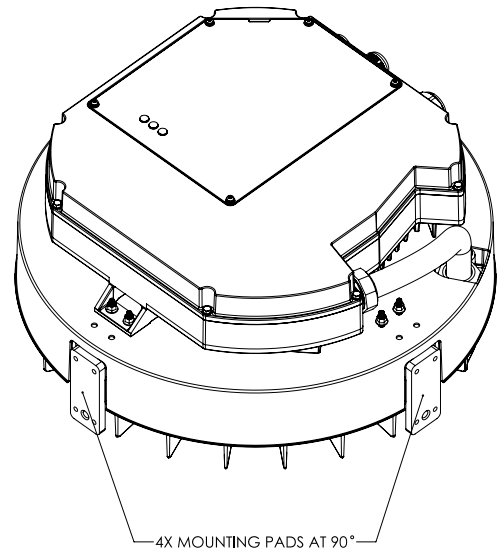
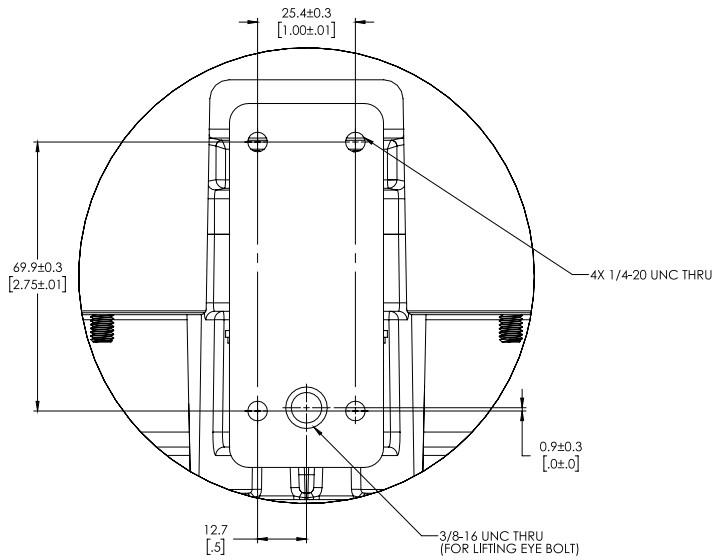
Certifications

Regulatory	
UL 1004-7	Standard for electronically protected motors
UL 1004-1	Rotating electrical machines – general requirements
CSA C22.2 No.77	Motors with inherent overheating protection
UL 61800-5-1	Standard for adjustable speed electrical power drive systems, Part 5-1: safety requirements & electrical, thermal & energy

Mounting & dimensions

Below are the measurements needed for installation tasks.

- There are four mounting pad locations.
- Each pad is spaced 90° apart, containing 4 mounting holes and one lifting eye hole.
- The DE face of the mounting block has threaded holes for four bolts (1/2"-13).
- All bolt holes should be used for secure mounting of the motor to equipment.



Catalog number decoder

Family	Frame	Rated power	Rated speed	Volts	VFD & I/O	Reserved	Bearings	Shaft Length	Wireless support	IP rating	Grounding
XX	XX	XXXX	XXXX	X	X	X	X	X	X	X	X
AE	18	1000	3600	A: 460 V / 60 Hz	A: Modbus RTU B: BACnet,MS/TP	A: none	S: steel H: hybrid	A: 3.25"	A: none	4: IP54	0: Grounded Wye 3: Delta, HRG

Ordering information

Catalog number	Modbus RTU	BACnet MS/TP	Steel bearings	Hybrid bearings	Grounded Wye	Delta, HRG
460V						
AE18-1000-3600-AAAS-AA40	X		X		X	
AE18-1000-3600-AAAH-AA40	X			X	X	
AE18-1000-3600-ABAH-AA40		X		X	X	
AE18-1000-3600-ABAS-AA40		X	X		X	
AE18-1000-3600-AAAS-AA43	X		X			X
AE18-1000-3600-AAAH-AA43	X			X		X
AE18-1000-3600-ABAH-AA43		X		X		X
AE18-1000-3600-ABAS-AA43		X	X			X



We reserve the right to make technical changes or modify the contents of this document without prior notice. Copyright© 2024 Infinitum Electric, Inc. All rights reserved.

Office
106 Old Settlers Blvd
Suite D106
Round Rock, TX 78664

Contact
info@goinfinitum.com
goinfinitum.com
support.goinfinitum.com