

# PRODUCT NOTICE

PN# 26-03 | May 2026

## Changes to Aircore EC crating

Infinitum is updating the crate material for Aircore motor systems from wood to cardboard. The change phases into production beginning May 2026. Customers should expect to receive cardboard crates starting the last week of May 2026.

Key Features	
Sustainability and cost	More sustainable and reduces logistics expenses for customers.
Packaging integrity	Secure packaging and inserts suitable for long-distance road trucking.
Available configurations	48" × 48" crates for 4-motor shipments and 24" × 24" crates for 1-motor shipments.
Compliance	Complies with ISTA Procedure 3E.

## Figures

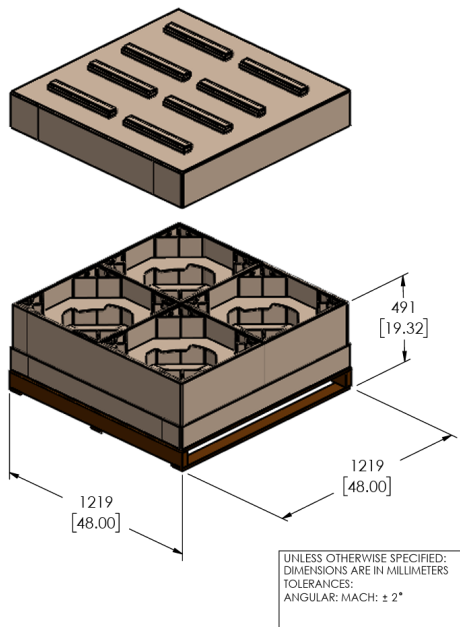


Figure 1: 48"x48", 4x Motor Crate

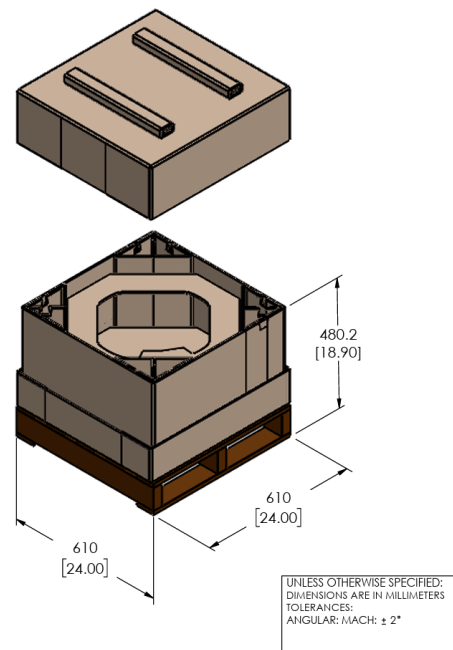
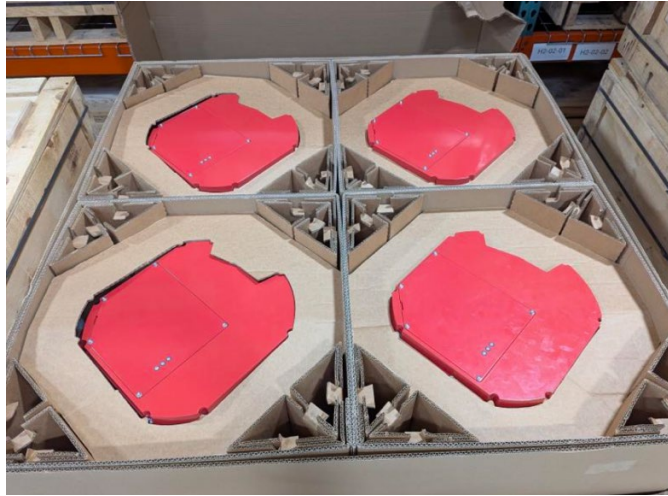


Figure 2: 24"x24", 1x Motor Crate

# PRODUCT NOTICE

PN# 26-03 | May 2026



*Figure 3: Motors packed inside*

## **Additional information**

Cardboard crating is available for Aircore motors only and does not apply to fan systems.

To support sustainability efforts, customers are encouraged to recycle the cardboard packaging after delivery where local facilities are available.

Contact Infinitum with any additional questions.

## **Contact:**

For more information on this Product Notice or for any support needs:

Email: [support@goInfinitum.com](mailto:support@goInfinitum.com)

Website: [goInfinitum.com](http://goInfinitum.com)

Support Center: [support.goInfinitum.com](http://support.goInfinitum.com)