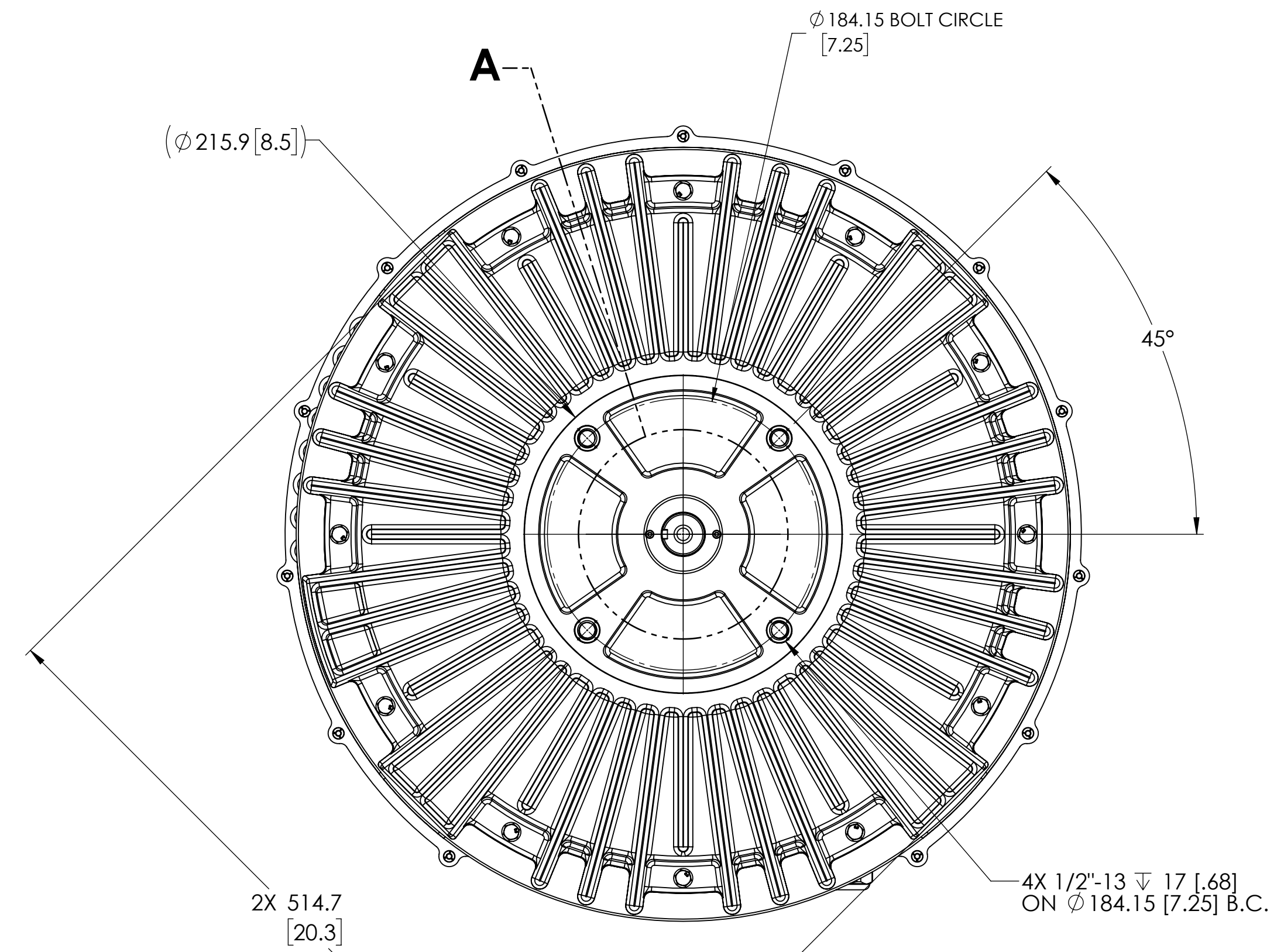
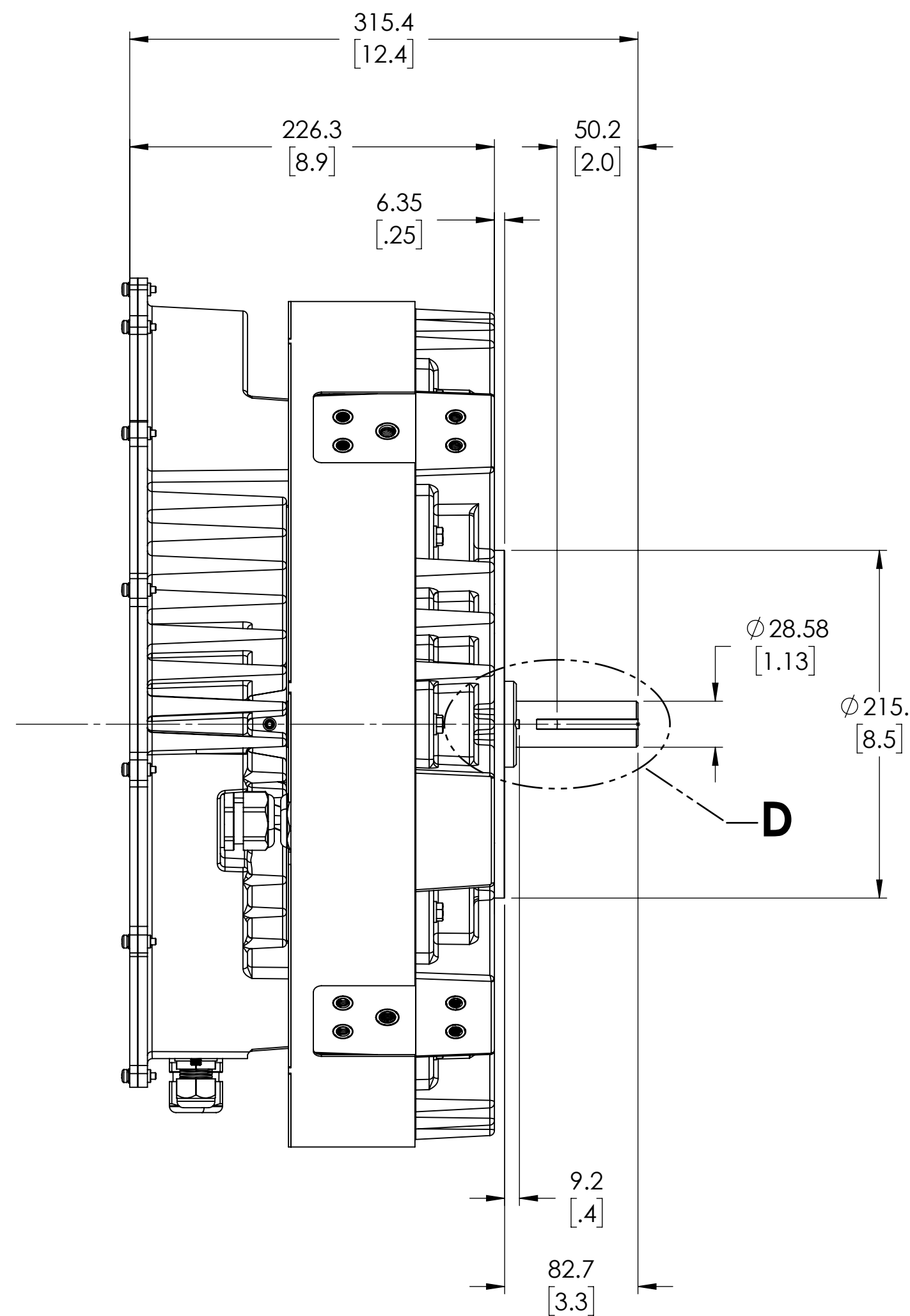
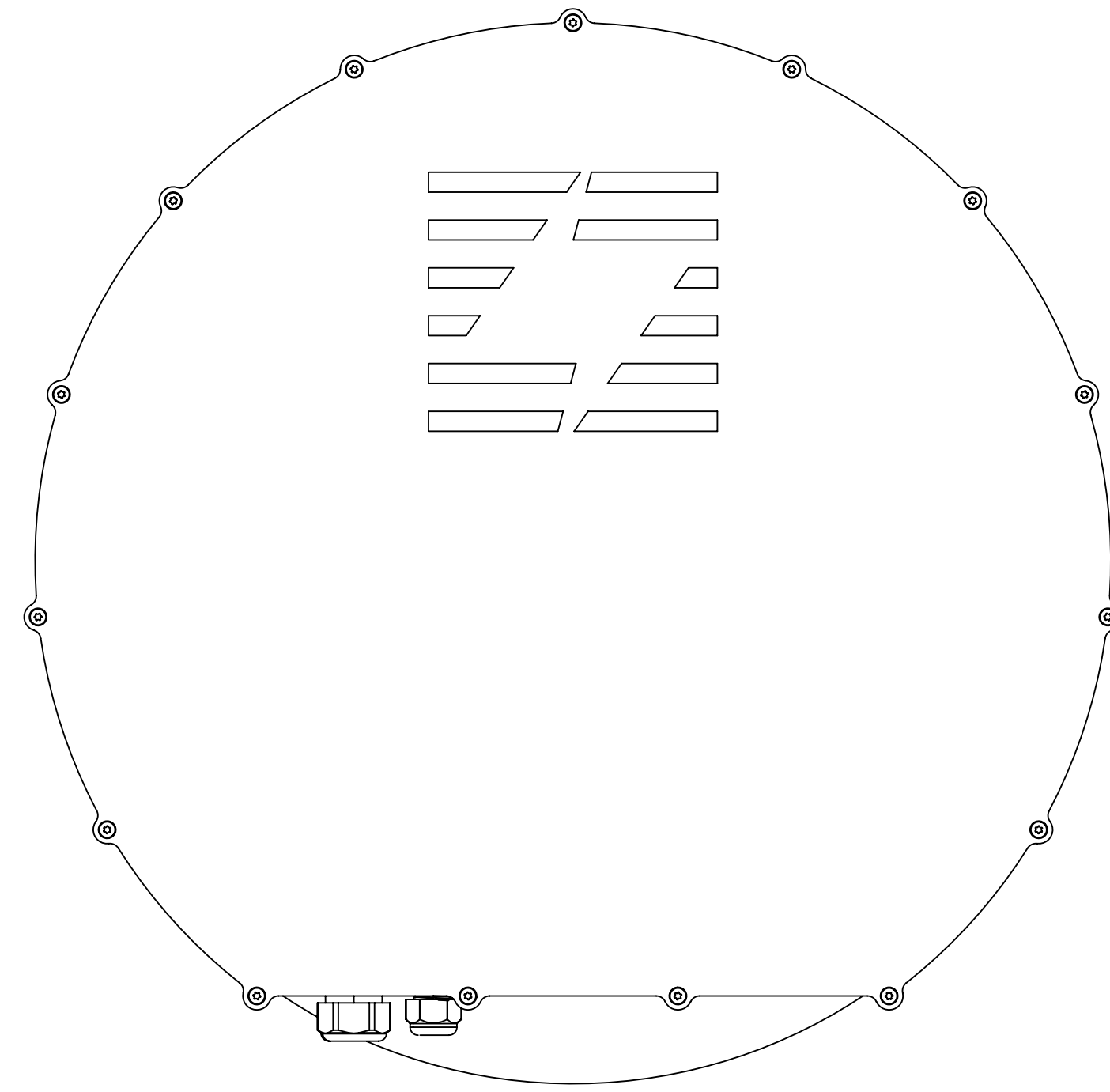
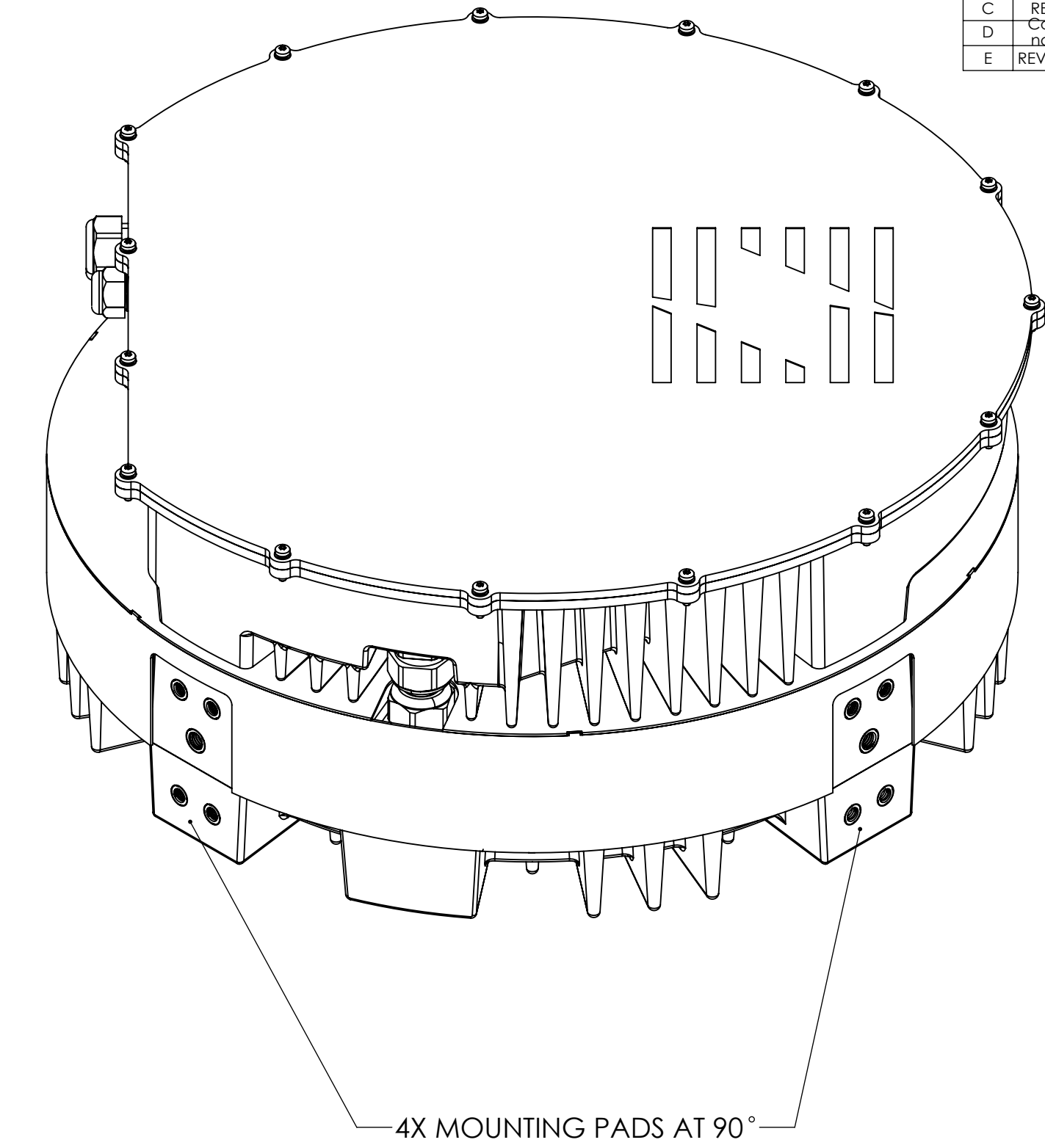
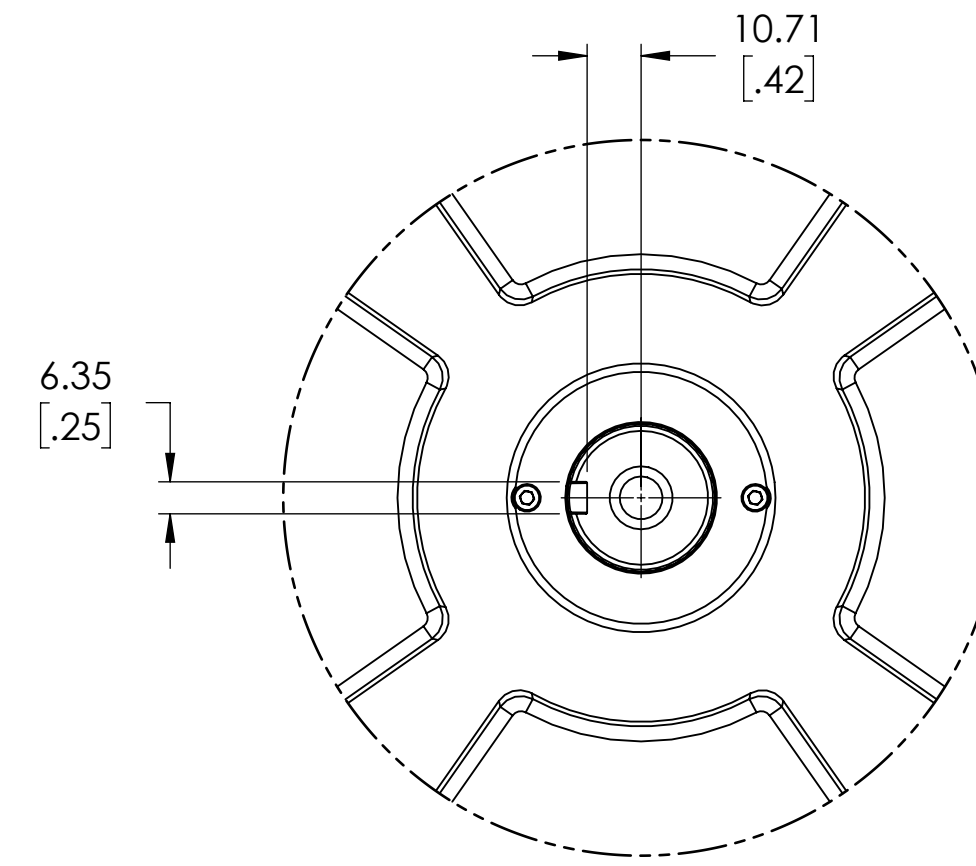
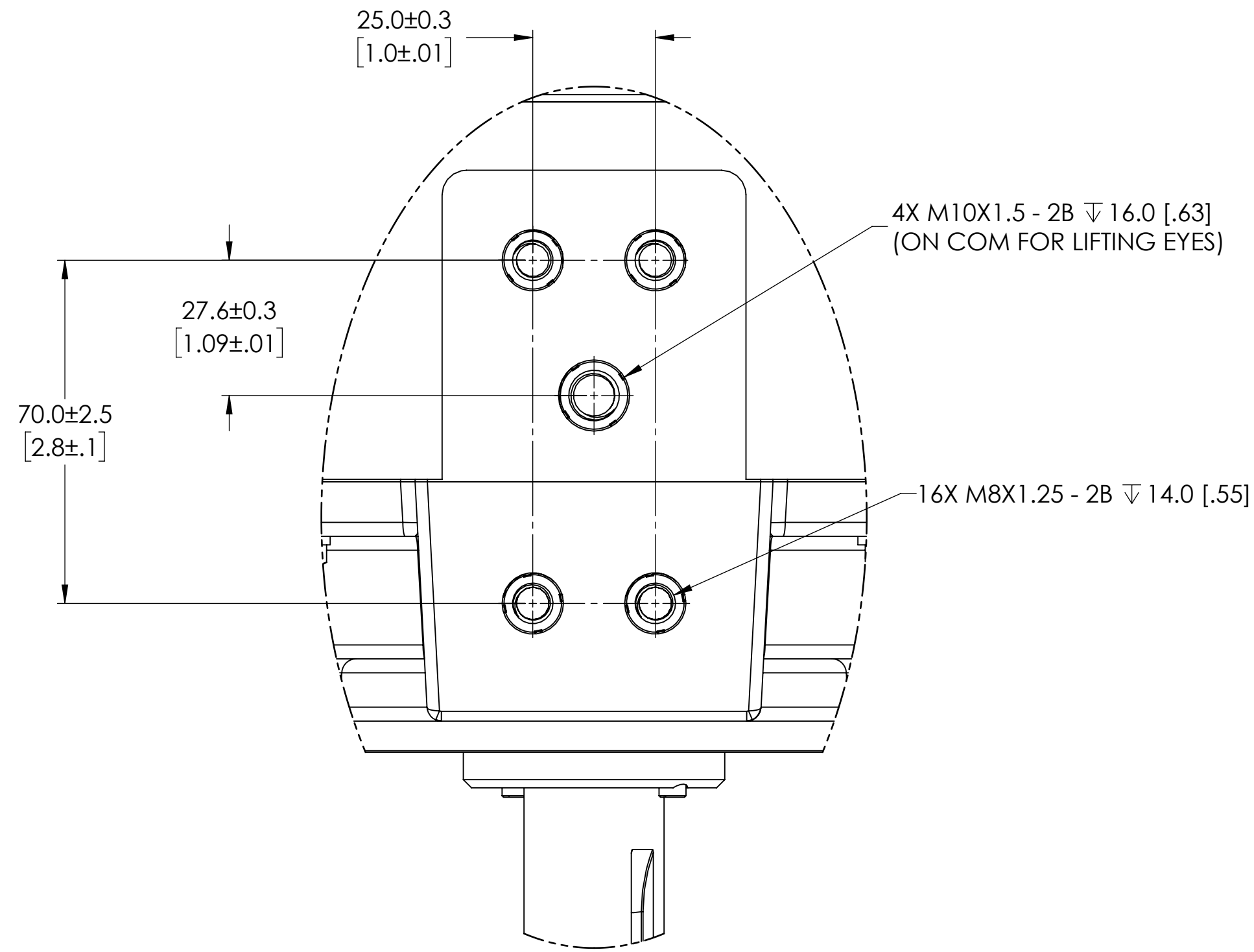


REV.	DESCRIPTION	DATE	APPROVED
A	INITIAL RELEASE	06/11/2021	JMW
B	REV PER ECO: 88	12/15/2021	JMW
C	REV PER ECO: 125	5/13/2022	REED
D	Converted ASMX to top analog output	07/19/2022	JMW
E	REV PER ECO: 000312	08/16/2022	REED



UNLESS OTHERWISE SPECIFIED: DIMENSIONS ARE IN MILLIMETERS TOLERANCES:		THIRD ANGLE PROJECTION	
ANGULAR: MACH: ± .5°	CHECKED: REED	NAME	DATE
ONE PLACE DECIMAL: ± 0.3	ENG APPR: JMW	JMW	4/13/2021
TWO PLACE DECIMAL: ± 0.15	PER: Y14.5-2009		
INTERPRET GEOMETRIC TOLERANCING: PER: Y14.5-2009	PROPRIETARY AND CONFIDENTIAL THE INFORMATION CONTAINED IN THIS DRAWING IS THE SOLE PROPERTY OF INFINITUM ELECTRIC. ANY REPRODUCTION IN PART OR AS A WHOLE WITHOUT THE WRITTEN PERMISSION OF INFINITUM ELECTRIC IS PROHIBITED.		
MATERIAL: FINISH: DO NOT SCALE DRAWING	UNCONTROLLED WHEN PRINTED		

TITLE:	
ASSEMBLY, TOP-LEVEL, JJ, 10-1800 CAST, NO ANALOG OUTPUT	REV
D ASM100100	E
SCALE: 1:3	WEIGHT: 74.02KG SHEET 1 OF 3



NOTES, UNLESS OTHERWISE SPECIFIED:

- 1 ▷ RECOMMENDED TORQUE: TIGHTEN UNTIL METAL BRACKET CONTACTS HOUSING, THEN LOOSEN 1/4 TURN.
- 2 ▷ RECOMMENDED TORQUE: 1.15 N-m (10 in-lb).
- 3 ▷ RECOMMENDED TORQUE: 3 N-m (26 in-lb).
- 4 ▷ PRIOR TO ASSEMBLY APPLY SILICONE GREASE, MOLYKOTE 55, OR EQUIVALENT.
- 5 ▷ APPLY LOCTITE OR EQUIVALENT THREADLOCKER TO ALL FASTENER THREADS PRIOR TO ASSEMBLY.
- 6 ▷ REFERENCE BILL OF MATERIALS PROVIDED BY INFINITUM ELECTRIC FOR ITEM NUMBER AND DESCRIPTION.
- 7 ▷ INSTALL WITH LOCK WASHER SUPPLIED WITH ITEM (19).
- 8 ▷ DO NOT APPLY THREAD LOCKER.
- 9 ▷ RECOMMENDED TORQUE: 2 N-m (18 in-lb).

D

D

C

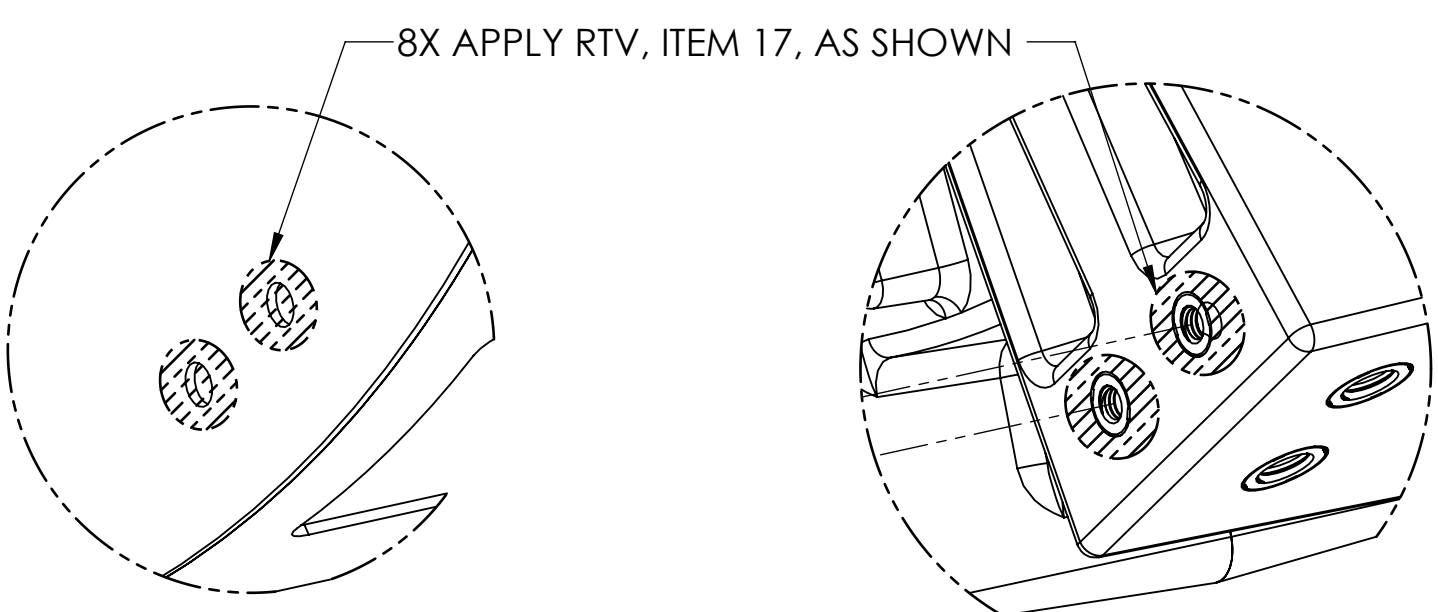
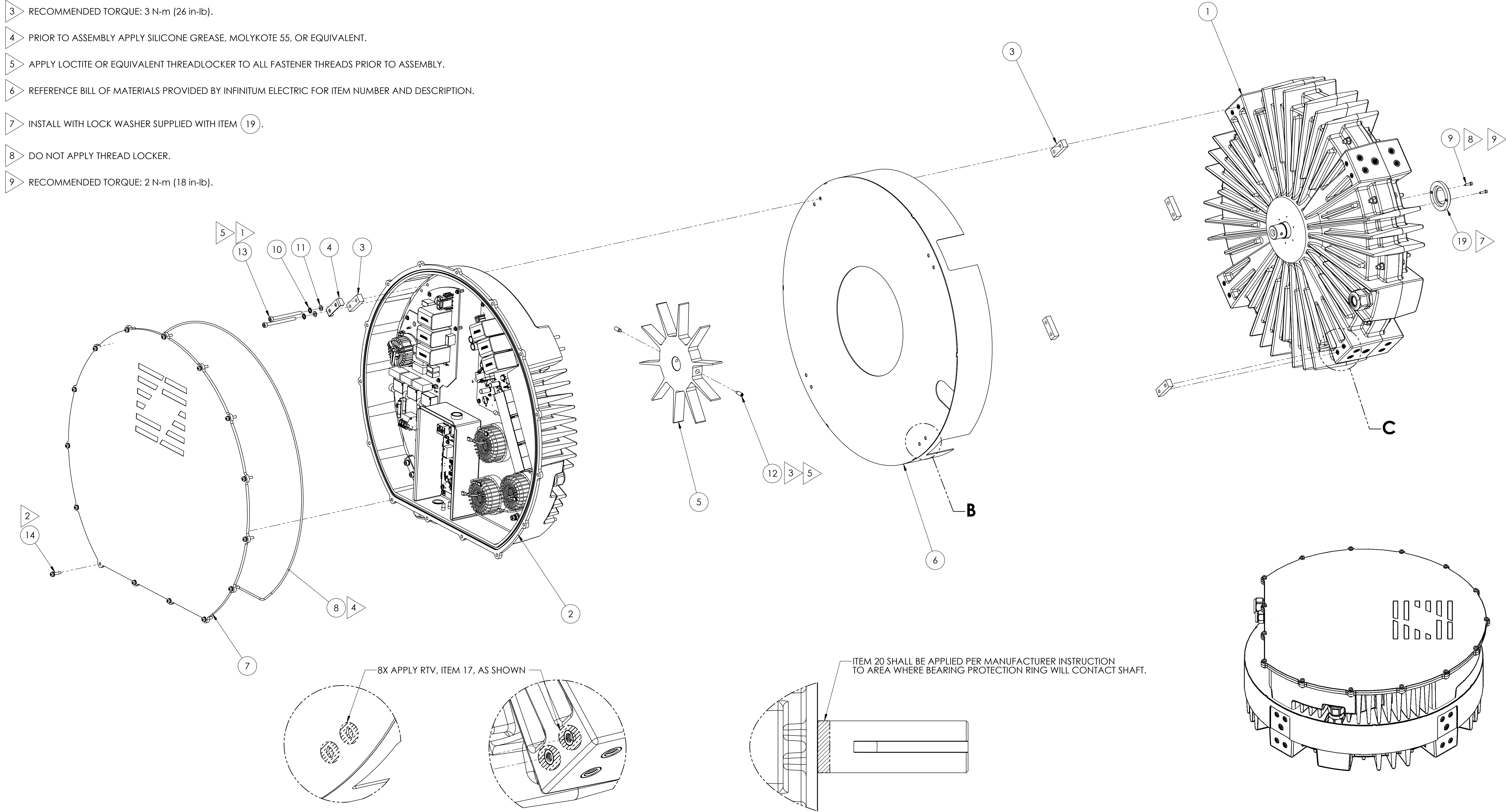
C

B

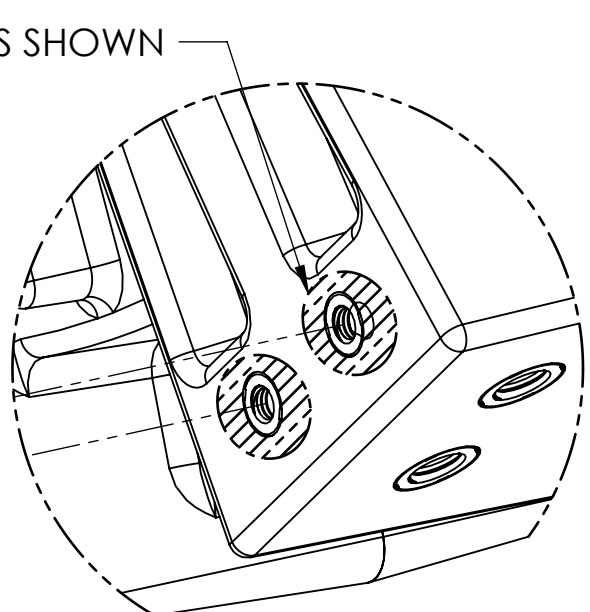
B

A

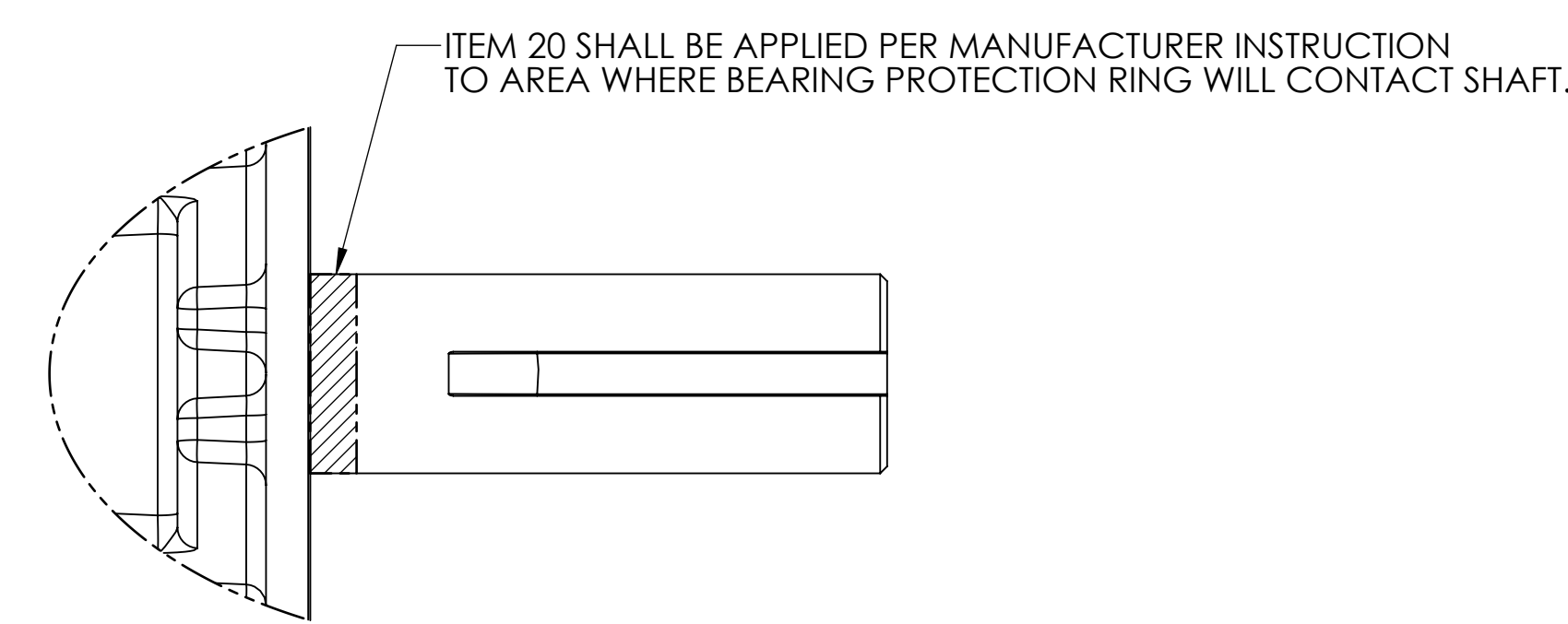
A



**DETAIL B
SCALE 1 : 1**



**DETAIL C
SCALE 1 : 1**



**DETAIL D
SCALE 1 : 1**

8

7

6

5

4

3

2

1

D

D

C

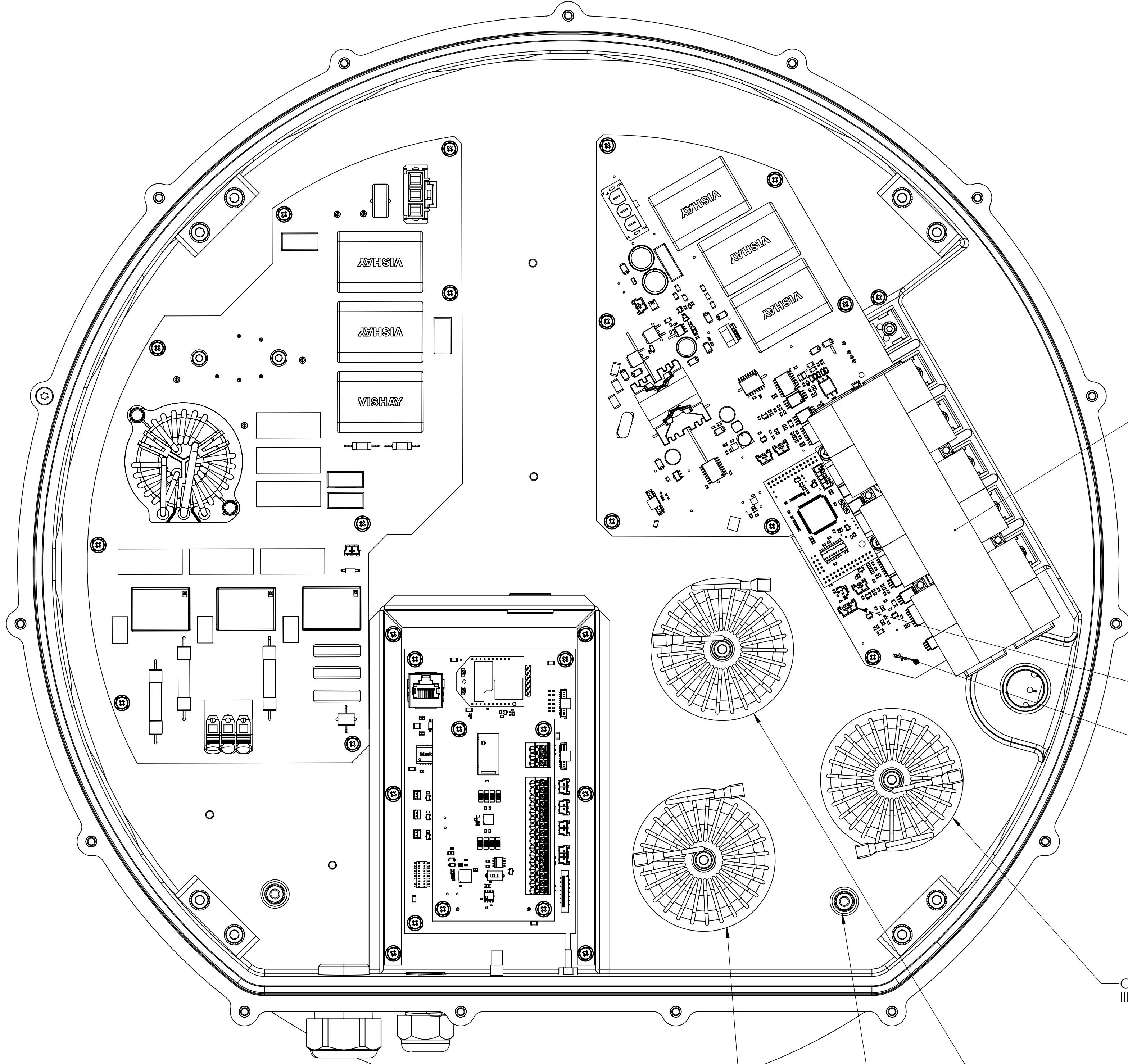
C

B

B

A

A



ROUTE CABLE CAB000002-01, -02 & -03 THRU CORES.
TIE CABLES TOGETHER WITH CABLE TIE PUR 200055.

CAB000010
INVERTER J3

CAB000002-04
INVERTER J1

CAB000002-01
INDUCTOR A

CAB000002-03
INDUCTOR C

GROUND

CAB000002-02
INDUCTOR B

COVER AND COVER SCREWS HAVE BEEN HIDDEN FOR CLARITY

SIZE	DWG. NO.	REV
D	ASM100100	E
SCALE: 3:4	WEIGHT: 74.02KG	SHEET 3 OF 3

8

7

6

5

4

3

2

1