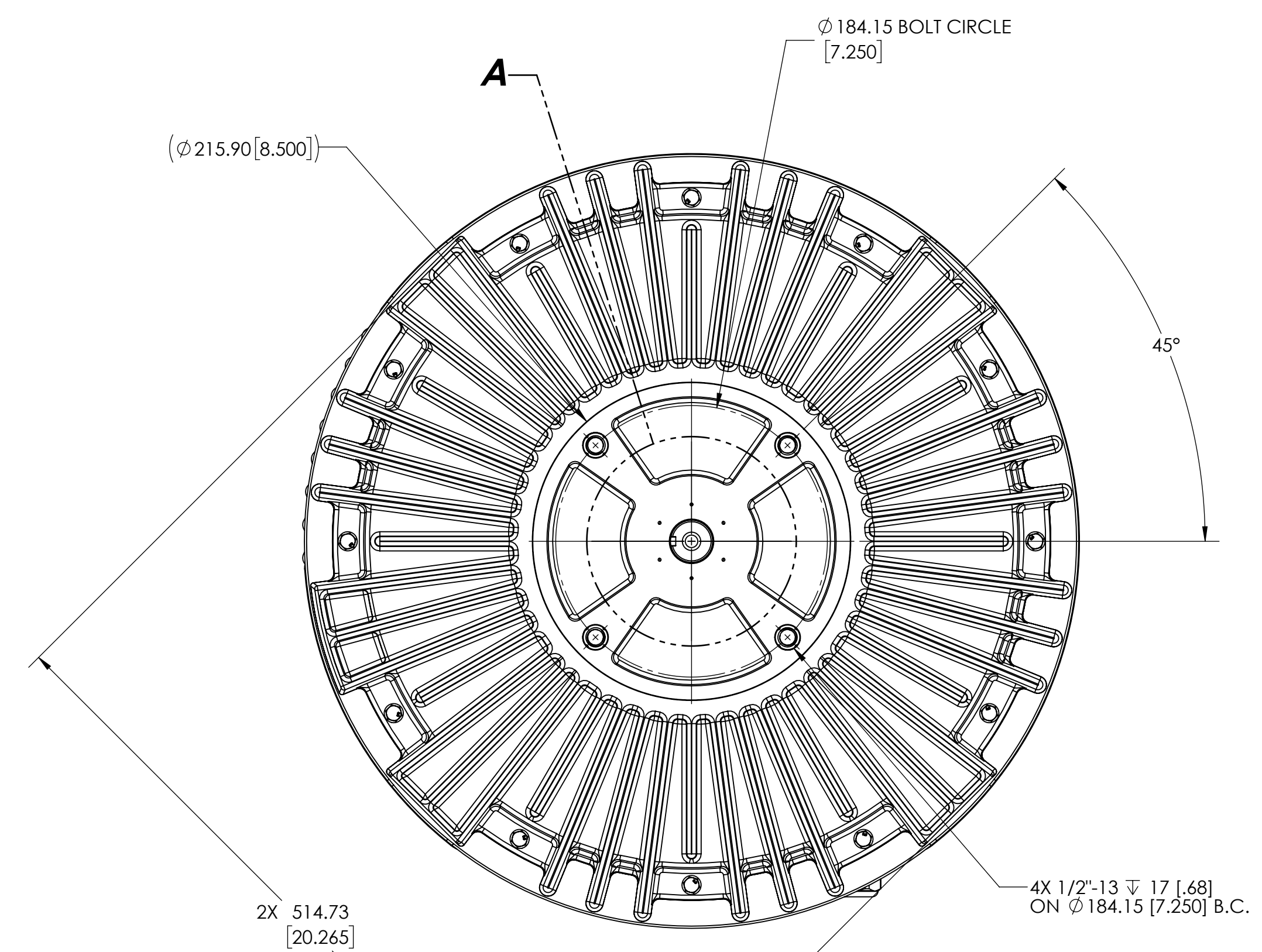
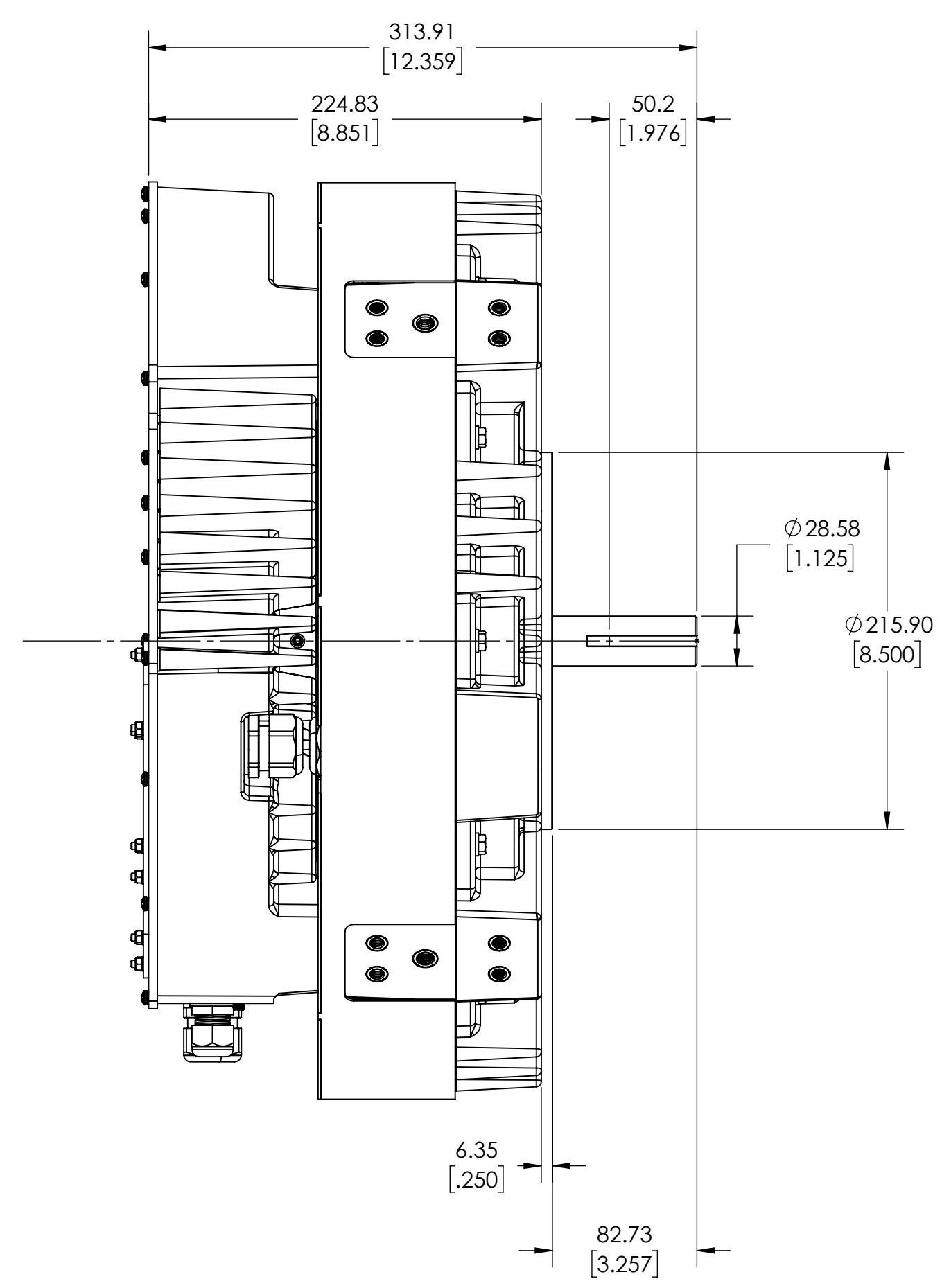
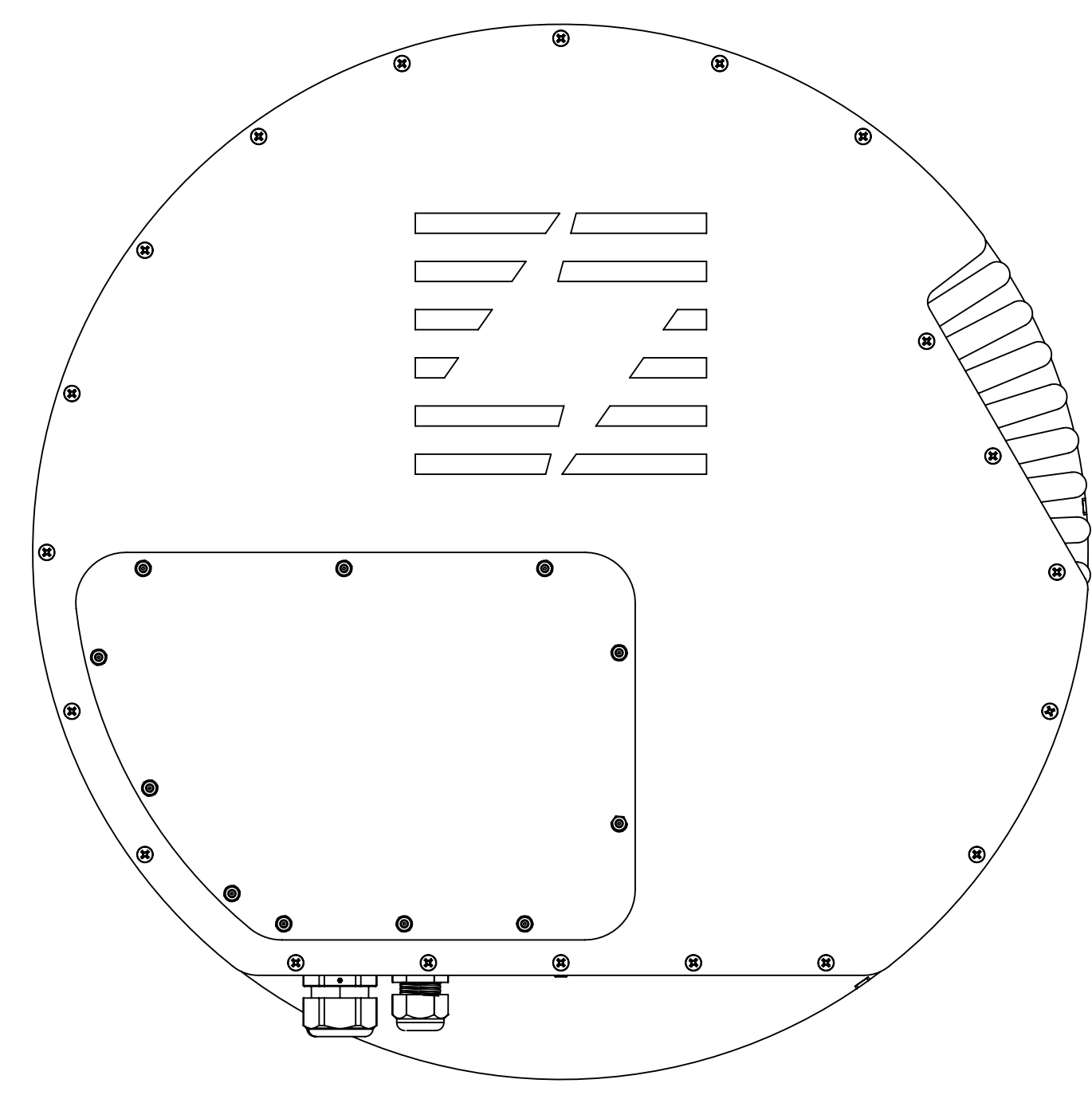
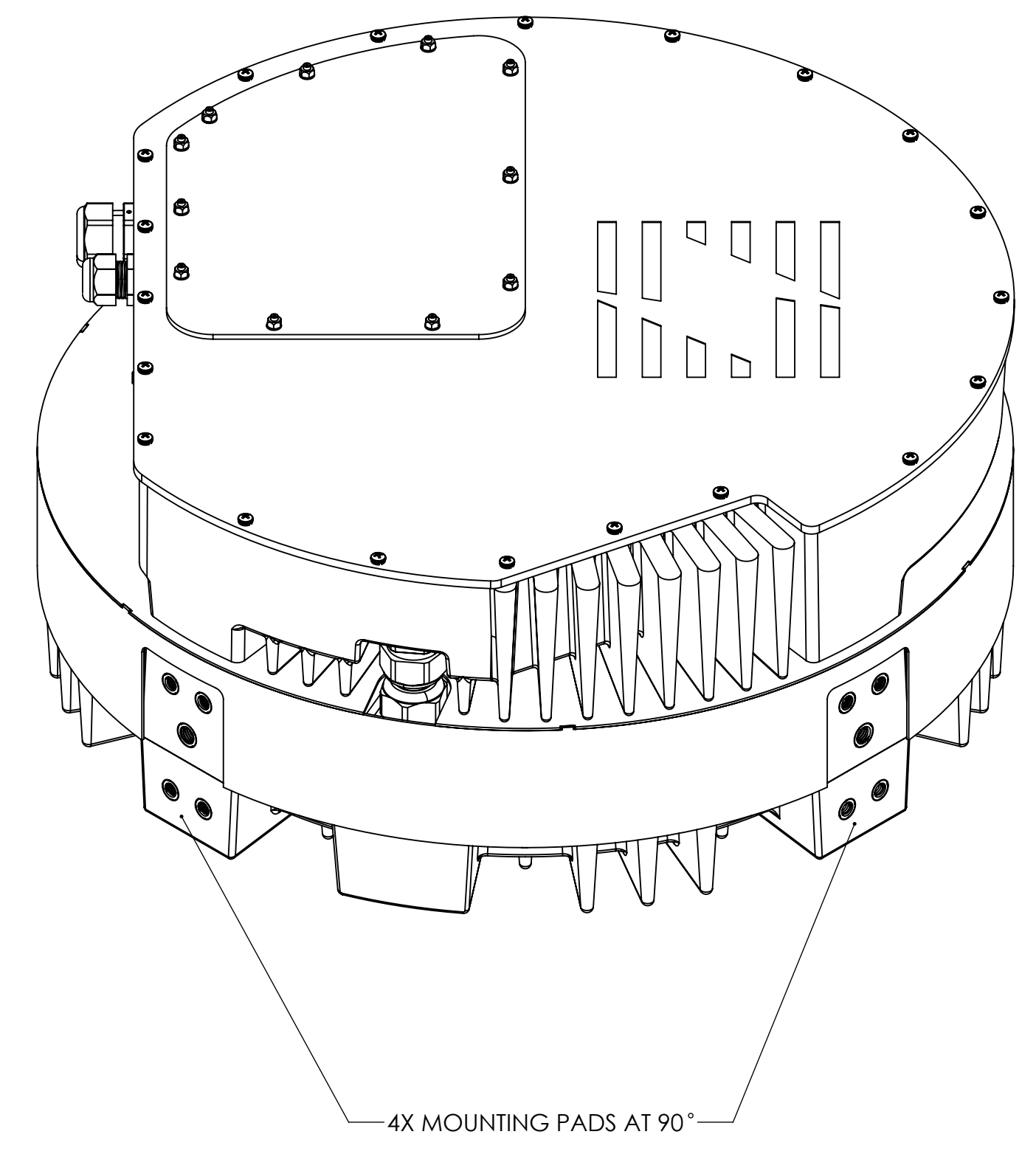
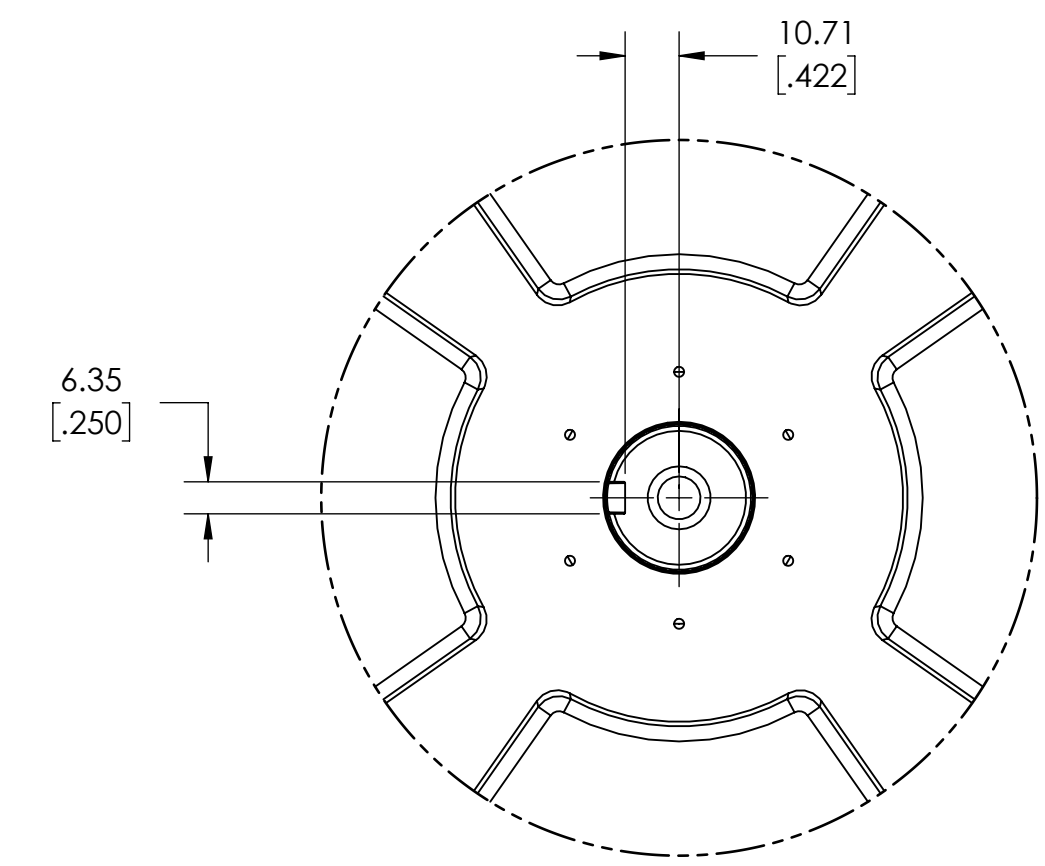
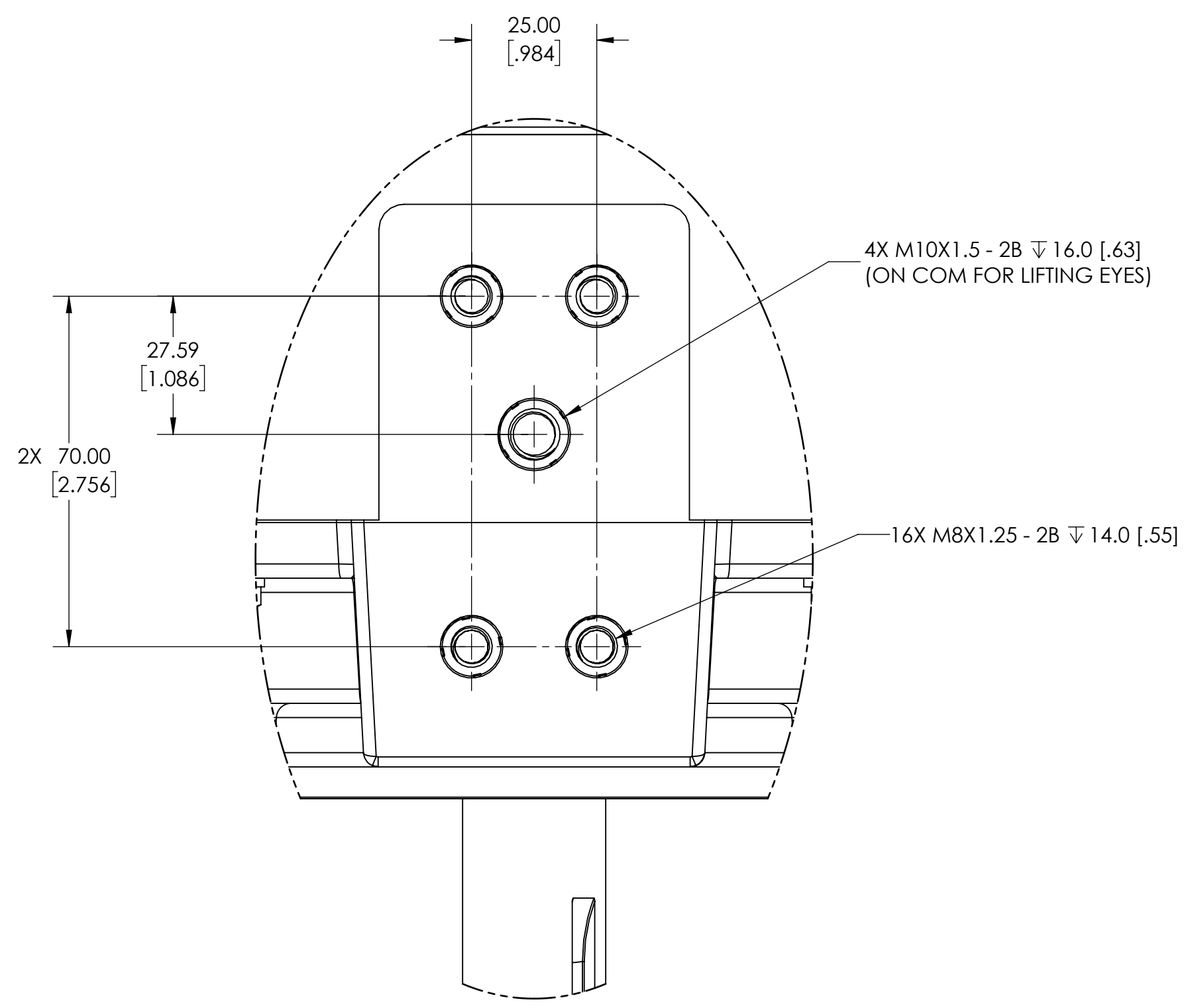


REV.	DESCRIPTION	DATE	APPROVED
C	REV PER ECO: 125	01/24/2022	REED
D	REV PER ECO: 163	04/04/2022	REED



UNLESS OTHERWISE SPECIFIED:		THIRD ANGLE PROJECTION	
DIMENSIONS ARE IN MILLIMETERS		NAME	DATE
TOLERANCES:		DRAWN	JMW 4/13/2021
ANGULAR: MACH: \pm 5°		CHECKED	REED 6/6/2021
ONE PLACE DECIMAL: \pm 0.3		ENG APPR.	JMW 4/13/2021
TWO PLACE DECIMAL: \pm 0.15			
INTERPRET GEOMETRIC TOLERANCING:	PER: Y14.5-2009		
MATERIAL: N/A		PROPRIETARY AND CONFIDENTIAL THE INFORMATION CONTAINED IN THIS DRAWING IS THE SOLE PROPERTY OF INFINITUM ELECTRIC. ANY REPRODUCTION IN PART OR AS A WHOLE WITHOUT THE WRITTEN PERMISSION OF INFINITUM ELECTRIC IS PROHIBITED.	
FINISH: N/A		UNCONTROLLED WHEN PRINTED	
DO NOT SCALE DRAWING			

Infinitem
electric

TITLE:
IES205 Drawing

SIZE DWG. NO. REV
D ASM100100 D

SCALE: 1:3 WEIGHT: 72.51KG SHEET 1 OF 2